



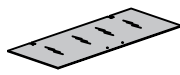
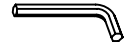
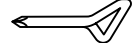
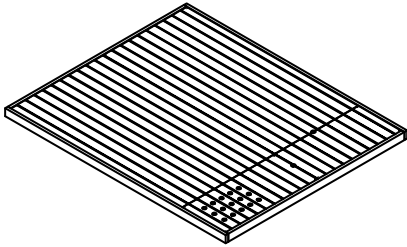
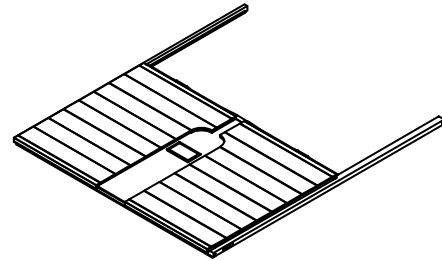


No.	HARDWARE	Qty.
1	Bolt M6x70 * 	x4
2	Plastic Washer 10x 6x8 * 	x4
3	Bolt M6x55 	x6
4	"U" Clip 6x12 	x4
5	Glass Door 711x1750 	x1
6	Allen Wrench 	x1
7	Philips Screw Driver 	x1

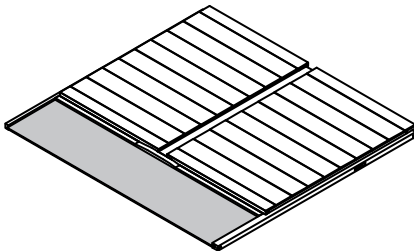
* Included in door handle



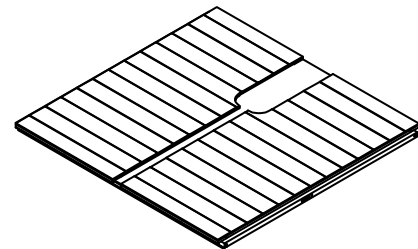
A x 1



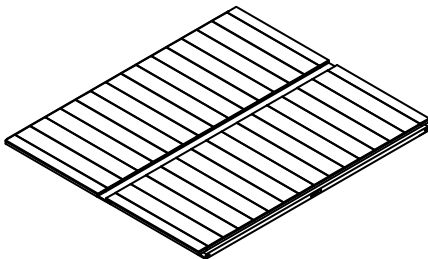
B x 1



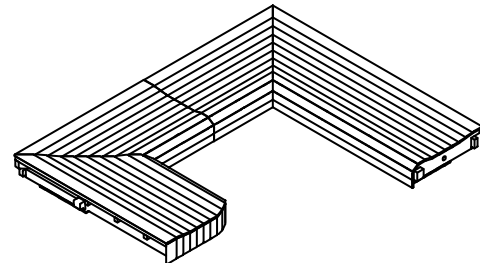
C x 1



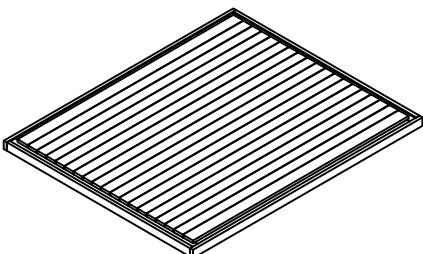
D x 1



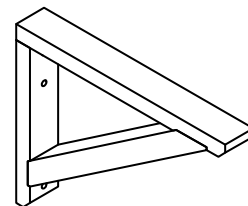
E x 1



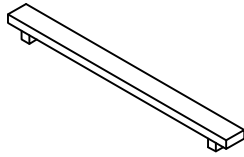
F x 1



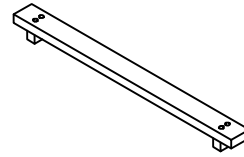
G x 1



H x 1



M x 1



N x 1

PRE-STEPS

**DEDICATED
240V | 20A
CIRCUIT
REQUIRED**
see manual

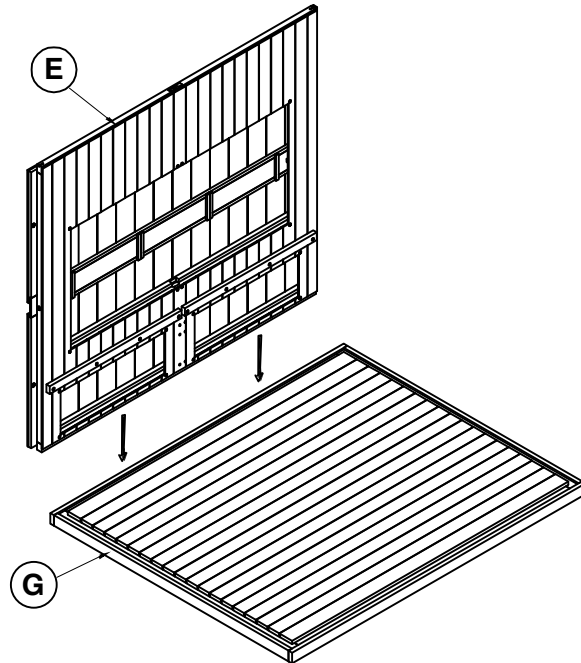
Un-pack each wall segment from the shipping material, stage each wall segment in the room you will be assembling the unit.

Remove the internal wooden heater frames during unpacking of the wall segments, set these aside for installation after the sauna is assembled.

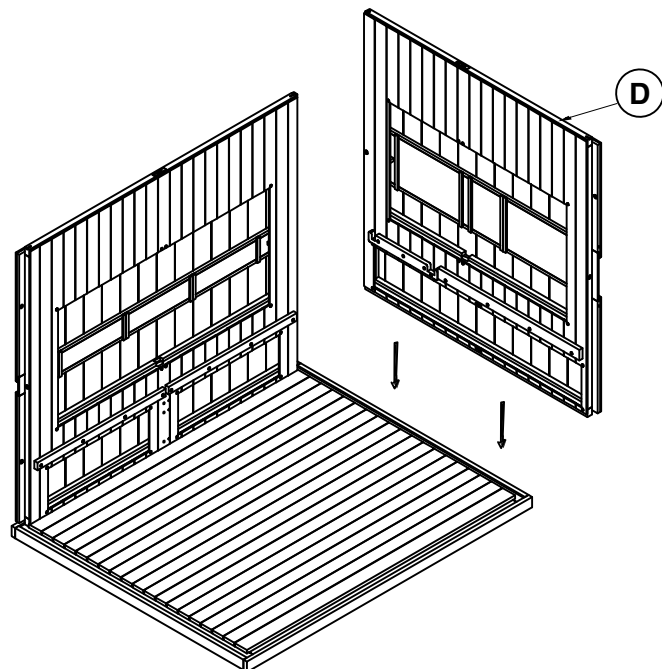
Remove the small wooden wire covers at the base of each vertical wall segment, set aside for placement after the sauna is assembled.

** Failure to do so will void your sauna's warranty and customer will assume liability for any electrical damages to the sauna itself or the residence/business in which the sauna is installed.*

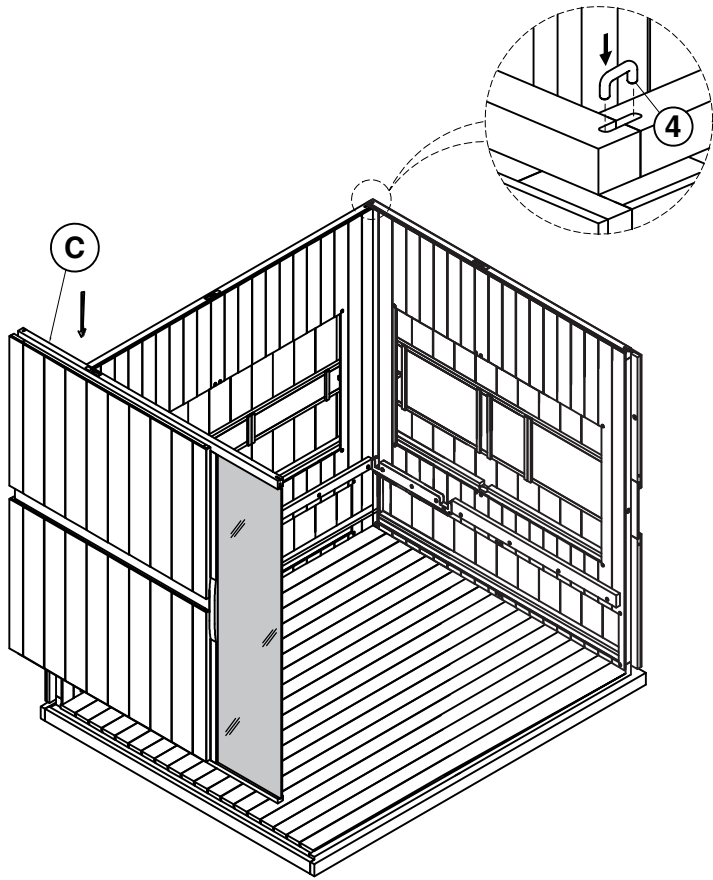
STEP 1



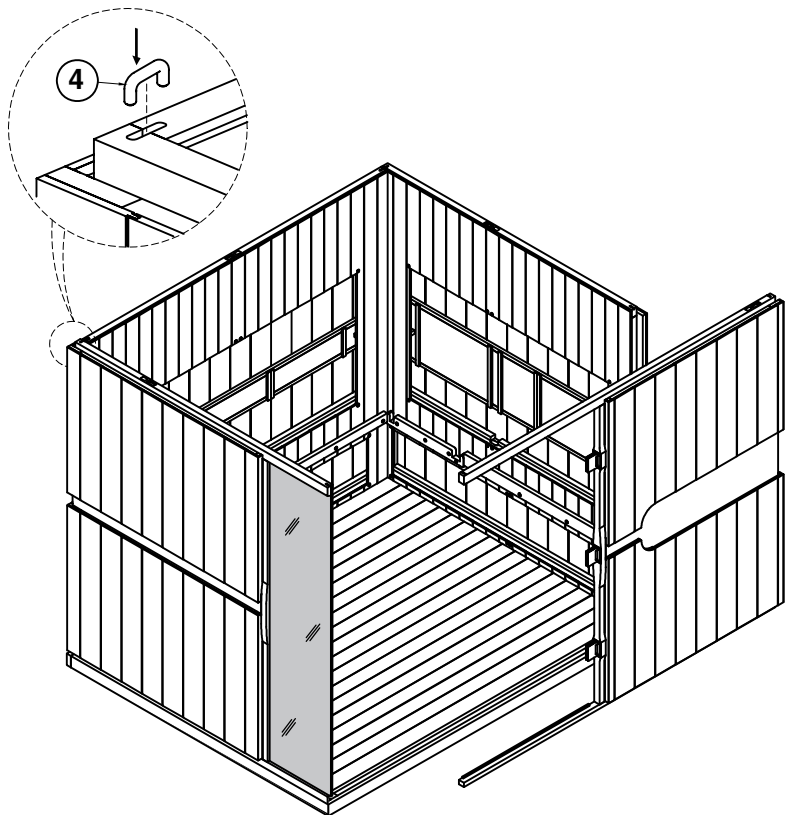
STEP 2



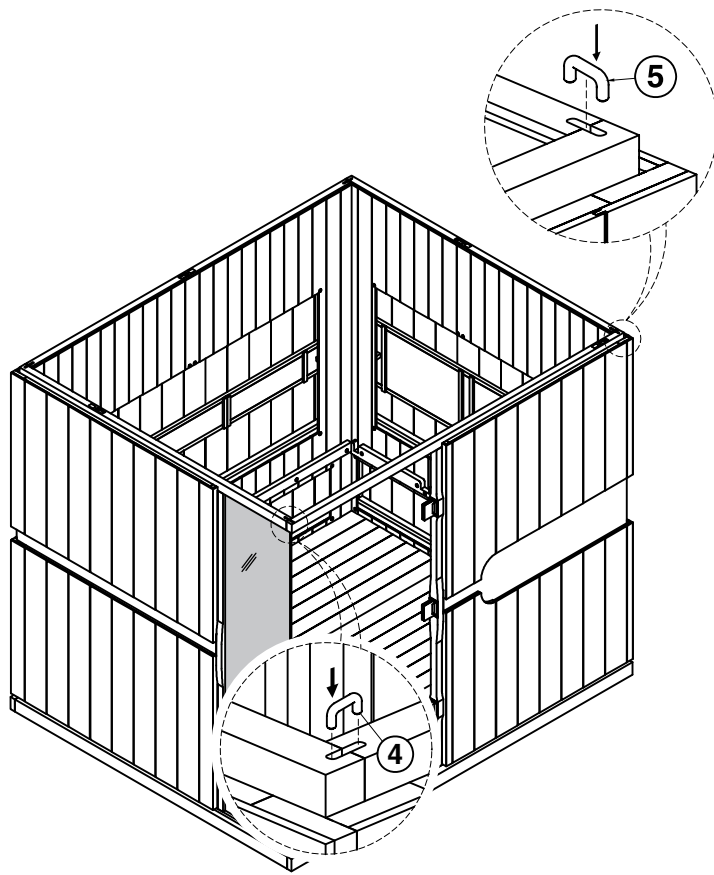
STEP 3



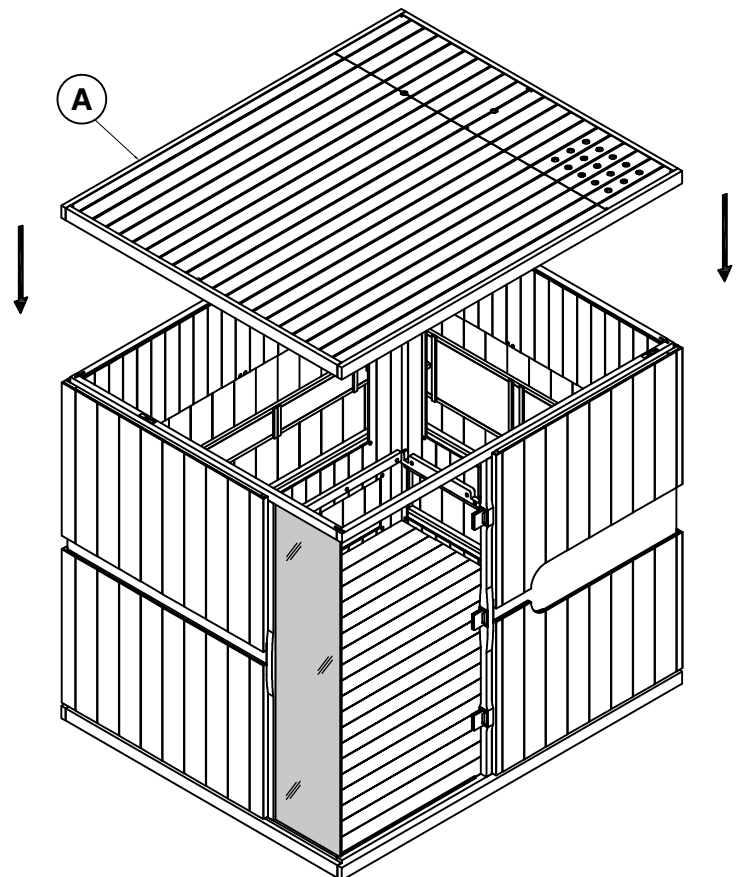
STEP 4



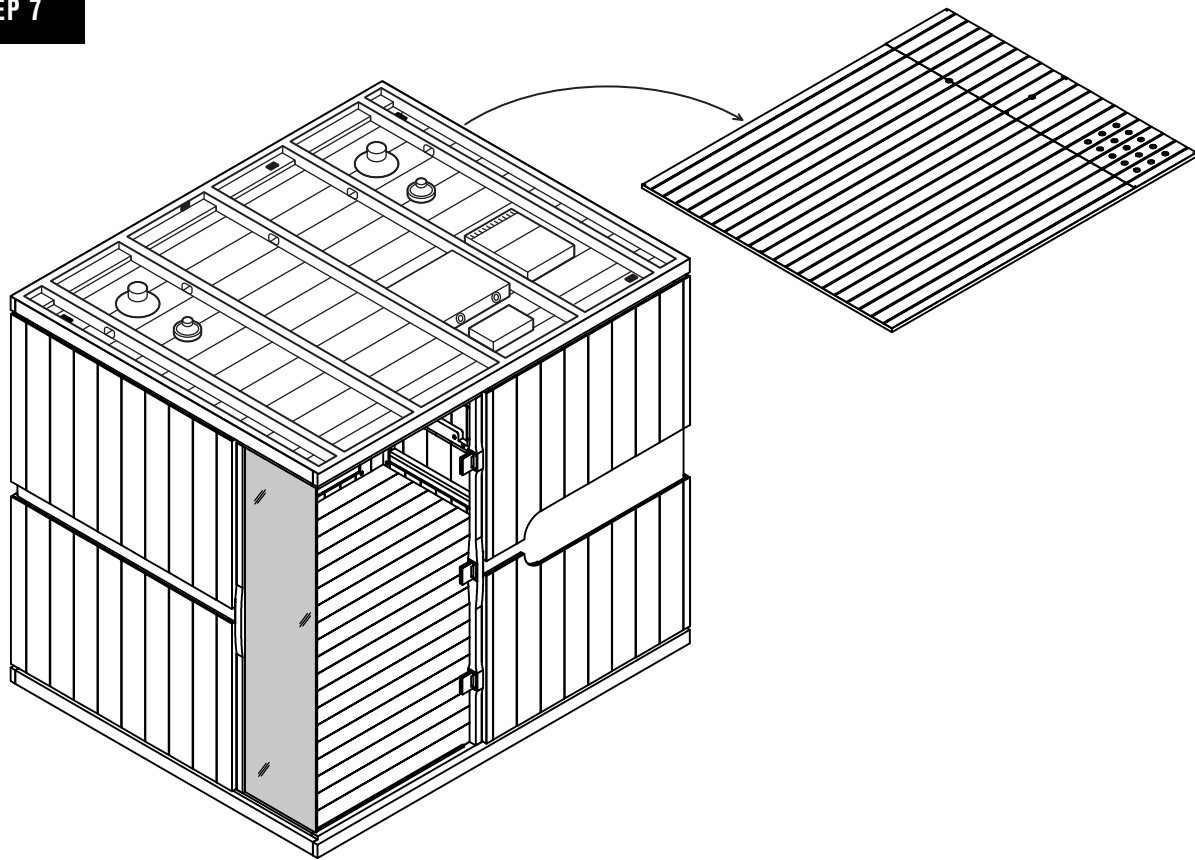
STEP 5



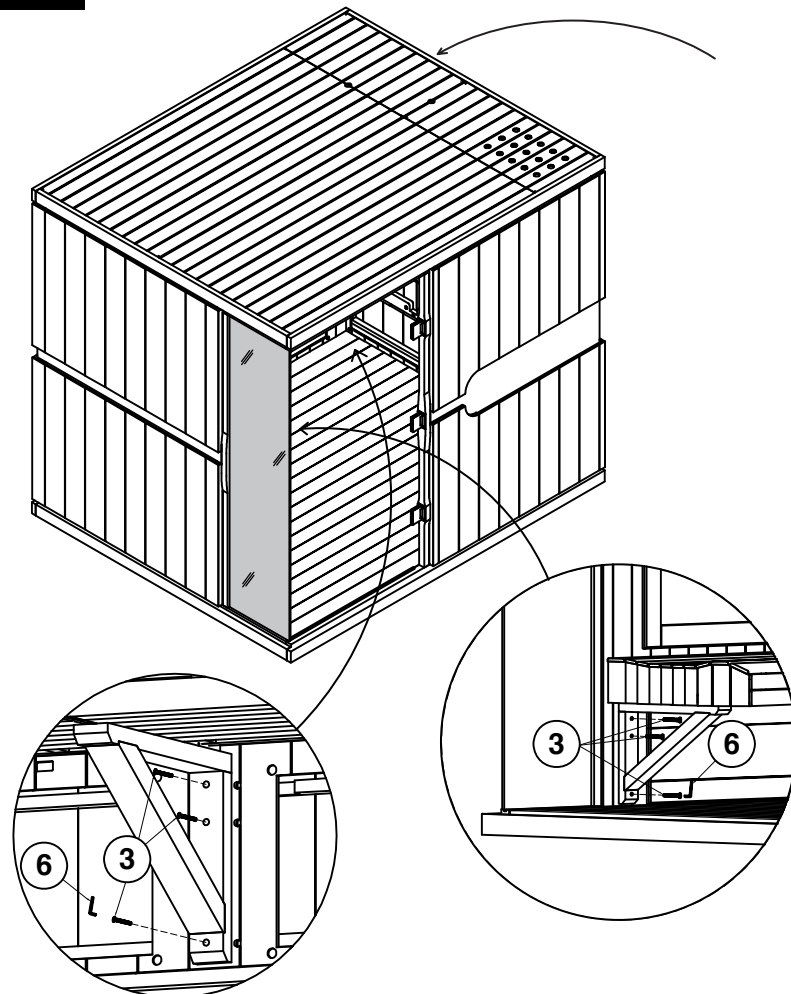
STEP 6



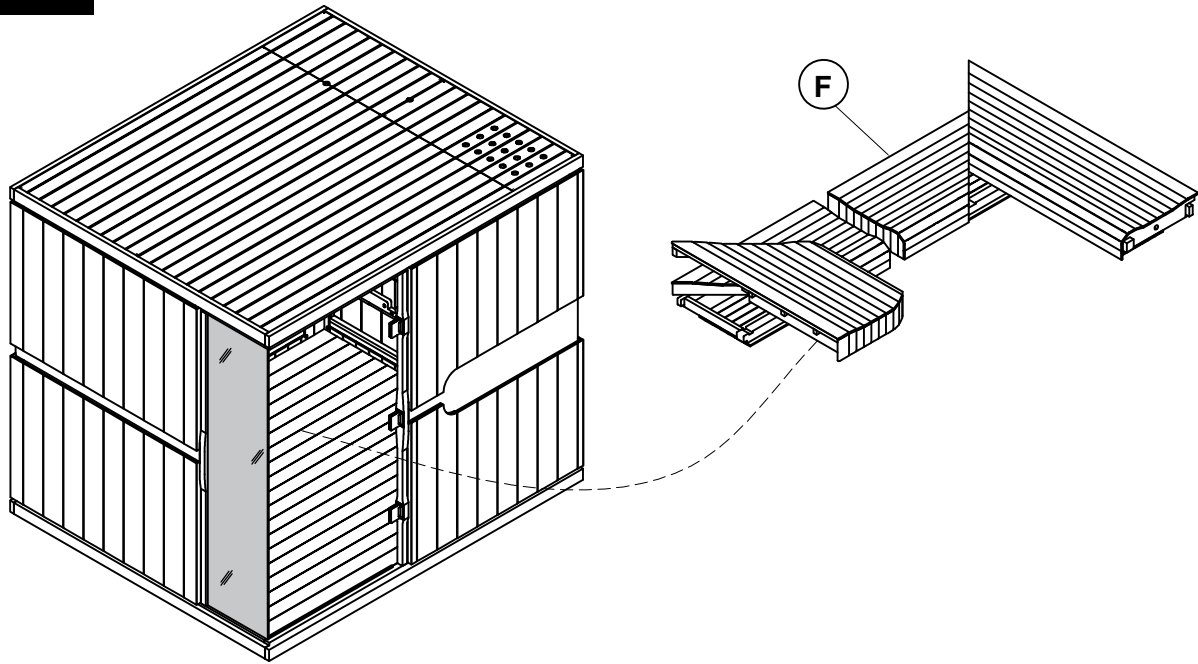
STEP 7



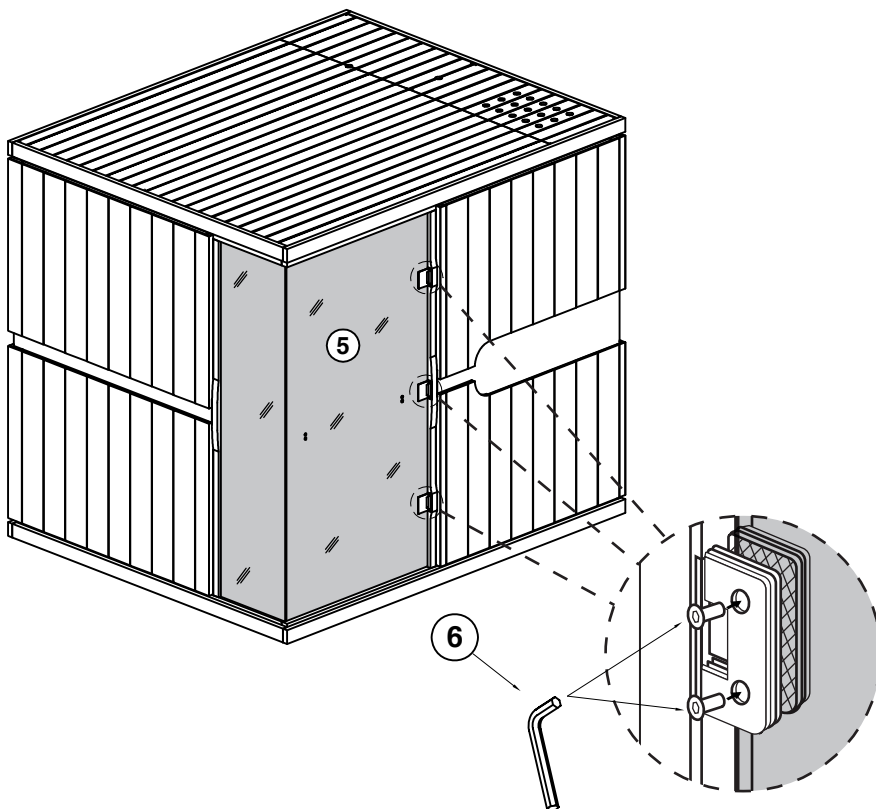
STEP 8



STEP 9



STEP 10



STEP 11

