

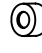


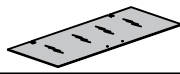
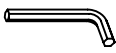
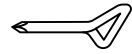
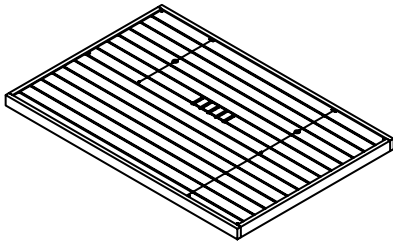
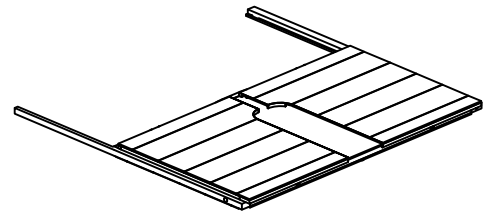


No.	HARDWARE	Qty.
1	Bolt M6x70 * 	x2
2	Plastic Washer 32x 25x1 * 	x4
3	Plastic Washer 10x 6x8 * 	x2
4	Bolt M6x55 	x7
5	"U" Clip 6x12 	x4
6	Glass Door 711x1750 	x1
7	Allen Wrench 	x1
8	Philips Screw Driver 	x1

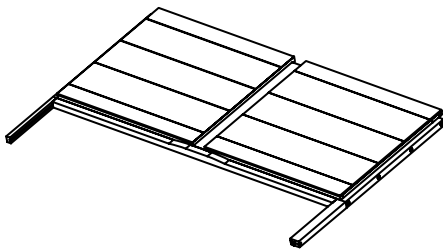
* Included in door handle



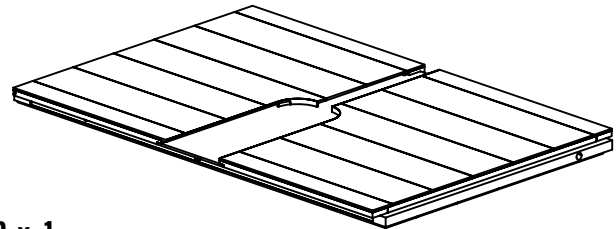
A x 1



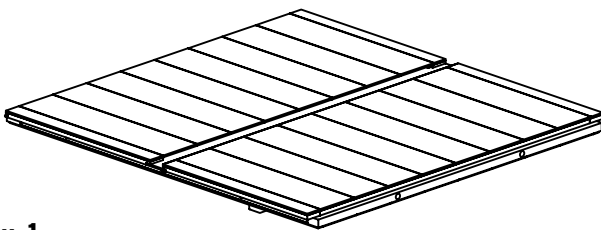
B x 1



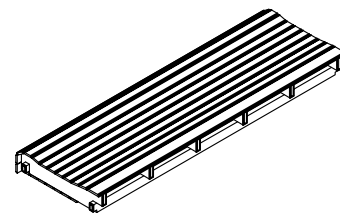
C x 1



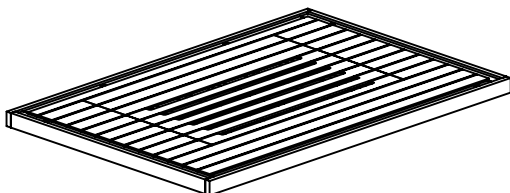
D x 1



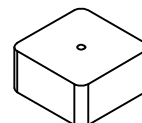
E x 1



F x 1



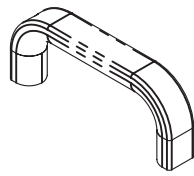
H x 1



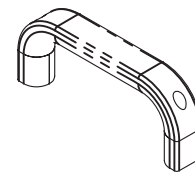
N x 5



M x 2



1 x 1



K x 1

PRE-STEPS

Un-pack each wall segment from the shipping material, stage each wall segment in the room you will be assembling the unit.

Remove the internal wooden heater frames during unpacking of the wall segments, set these aside for installation after the sauna is assembled.

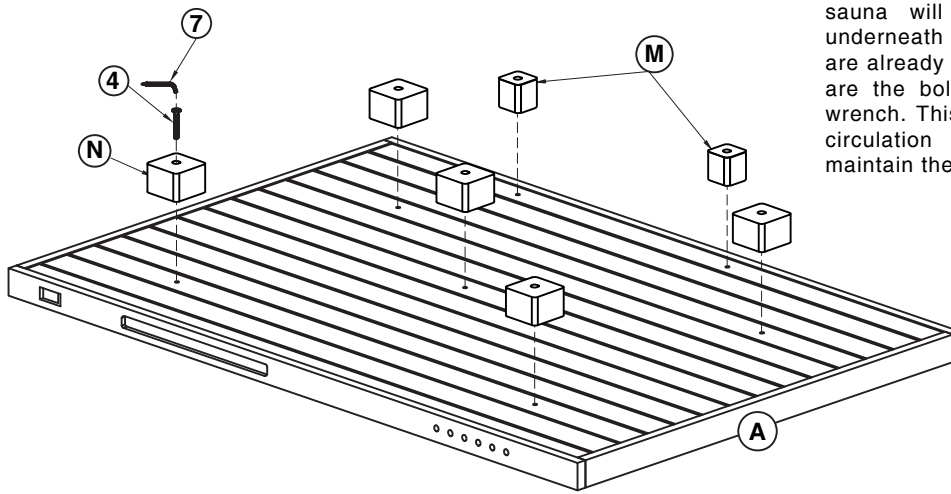
Remove the small wooden wire covers at the base of each vertical wall segment, set aside for placement after the sauna is assembled.

**DEDICATED
240V | 20A
CIRCUIT
REQUIRED**

see manual

** Failure to do so will void your sauna's warranty and customer will assume liability for any electrical damages to the sauna itself or the residence/business in which the sauna is installed.*

STEP 1



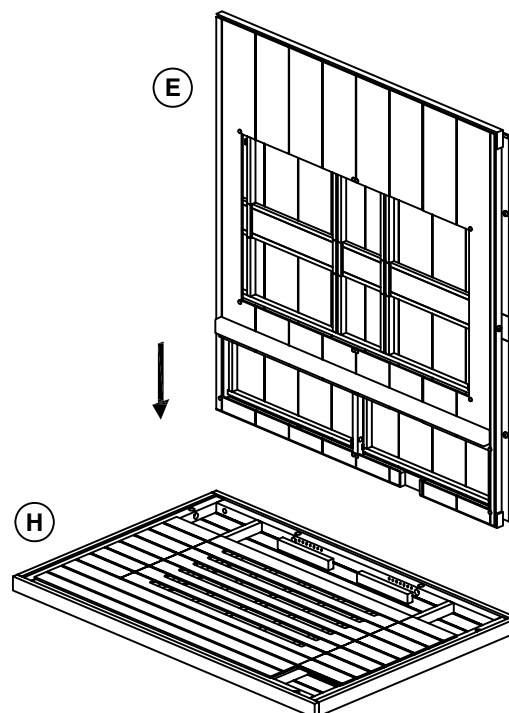
The first step to installing your new sauna will be to insert the legs underneath the floor panel. The holes are already pre-drilled so all you need are the bolts (No. 4) and the Allen wrench. This is necessary to allow air circulation to flow underneath and maintain the integrity of the unit.

STEP 2

Before you begin installing the walls, be sure you have at least 4-12 inches of space between the back of the sauna & the outlet wall. Being able to access the plug is crucial in the event you need to cut power to the unit.

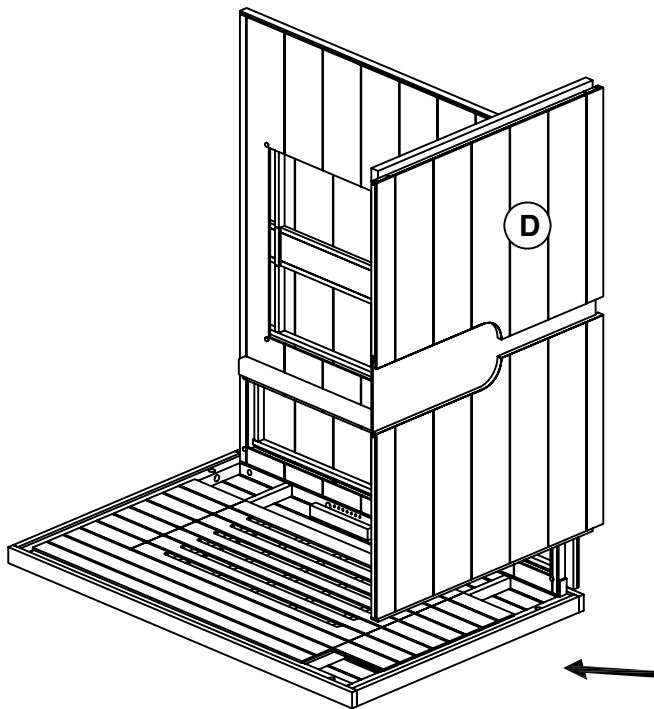
Make sure the floor panel is placed on a surface that is relatively smooth & perfectly level. Failure to do so can cause the door to not close all the way in the later steps.

In this step make sure one person is holding the wall while the other helps balance it and press it in place.



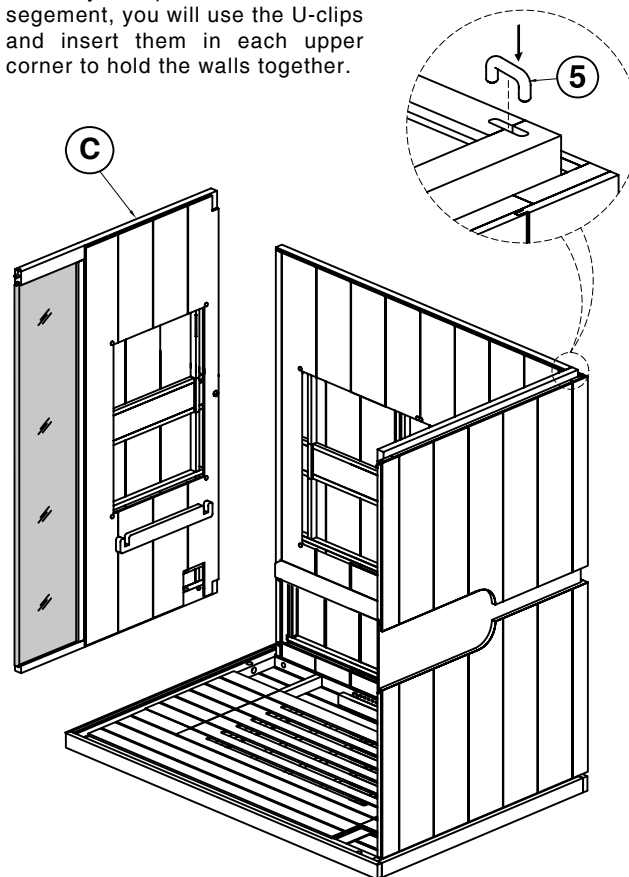
STEP 3

The following walls will be inserted the same way as Step 2. Make sure the wires coming out from the bottom hatches don't pinch when you mount the walls.



STEP 4

After you place each wall segment, you will use the U-clips and insert them in each upper corner to hold the walls together.



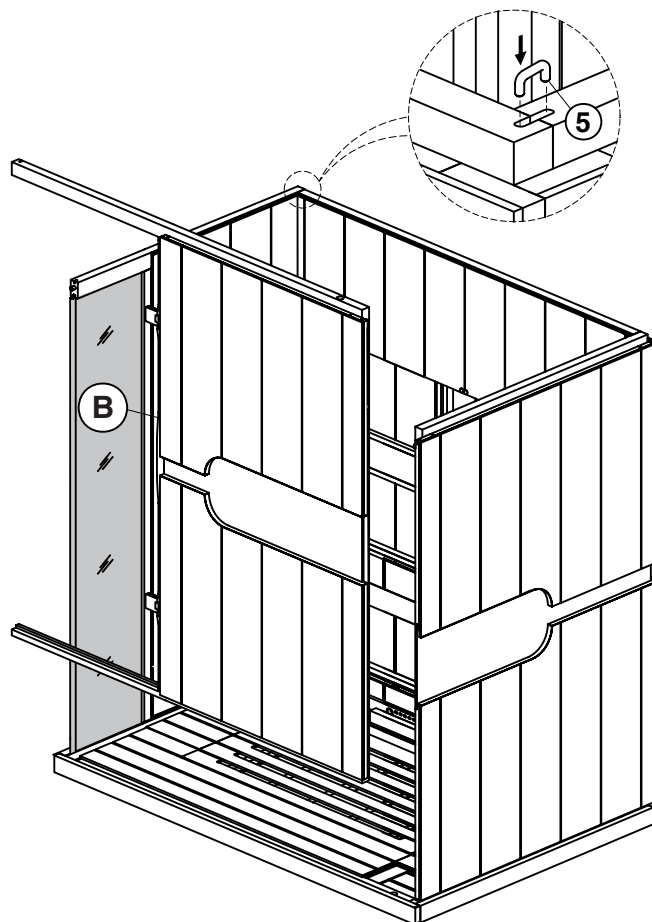
STEP 5

The front wall will be the last to install.

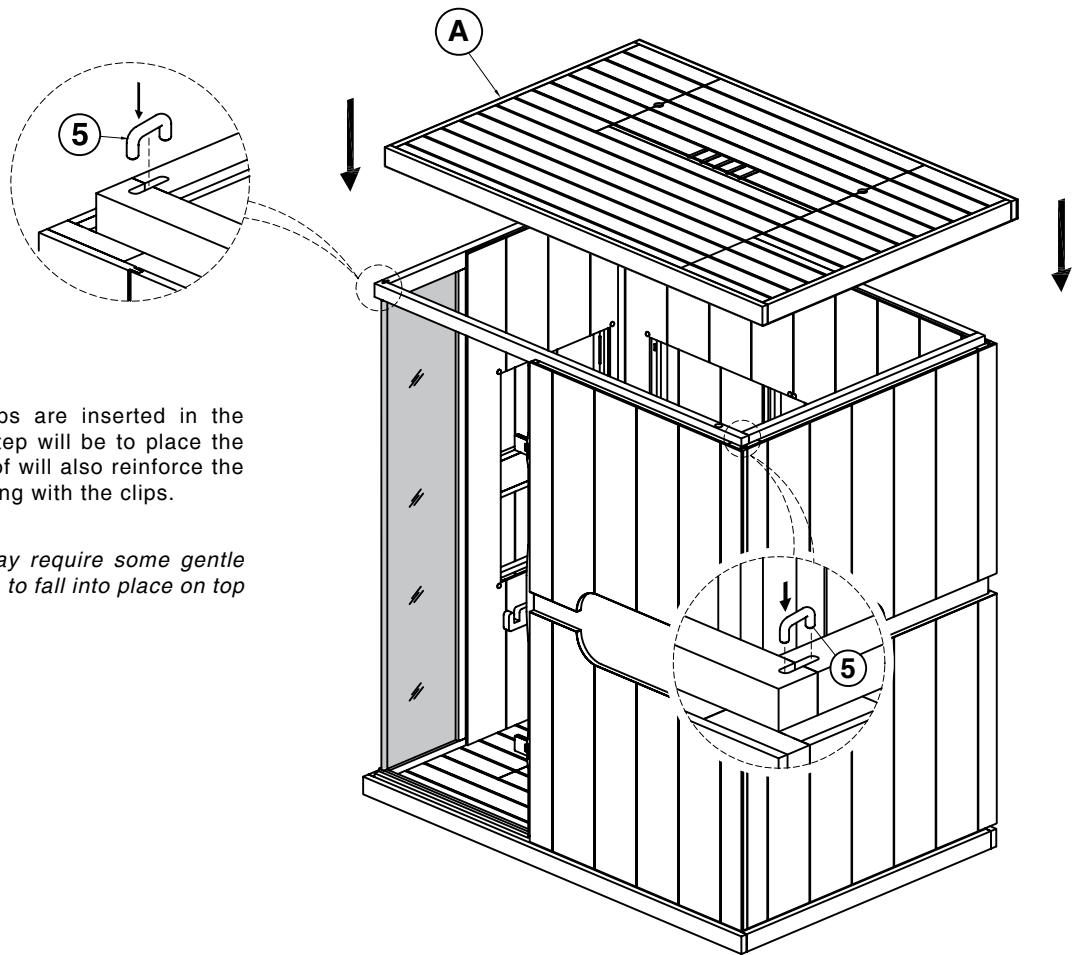
There will be wire connections that need to be made at the base of each wall panel. These can be accessed by small hatches on the walls (floor hatch for the front). If a cable gets stuck in the floor it can be accessed by removing the wood piece that covers the powerbox.

A diagram showing the connection locations can be found on Step 8.

NOTE: If you ever have trouble getting a U-clip to slide in, this can be resolved by tapping it with a hammer.



STEP 6



After all four U-clips are inserted in the corners, the next step will be to place the roof on top. The roof will also reinforce the walls in position along with the clips.

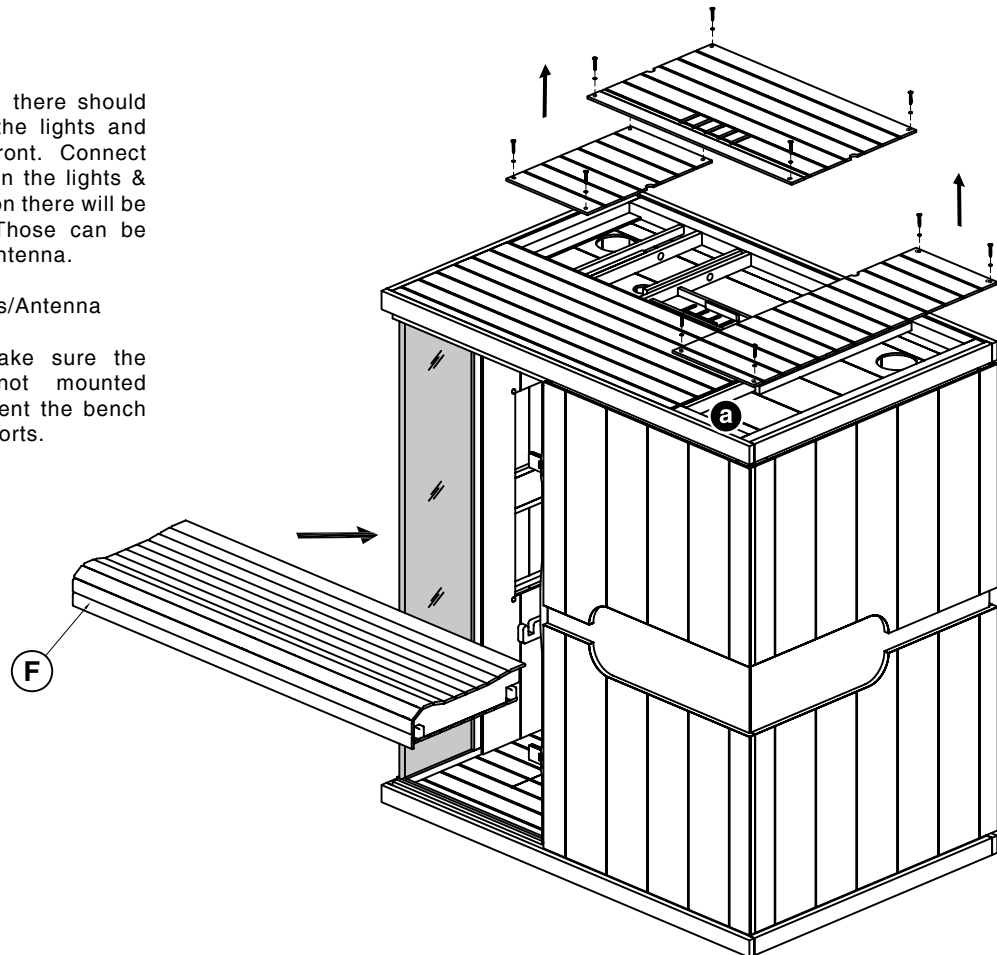
NOTE: The roof may require some gentle shifting back & forth to fall into place on top of the wall panels.

STEP 7

After the roof is placed, there should be the connections to the lights and speakers at the top front. Connect those so you can turn on the lights & listen to sound. In addition there will be two metal-loop leads. Those can be screwed into the radio antenna.

a Lights/Speakers/Antenna

Next is the bench. Make sure the heater frames are not mounted otherwise they will prevent the bench from resting on the supports.



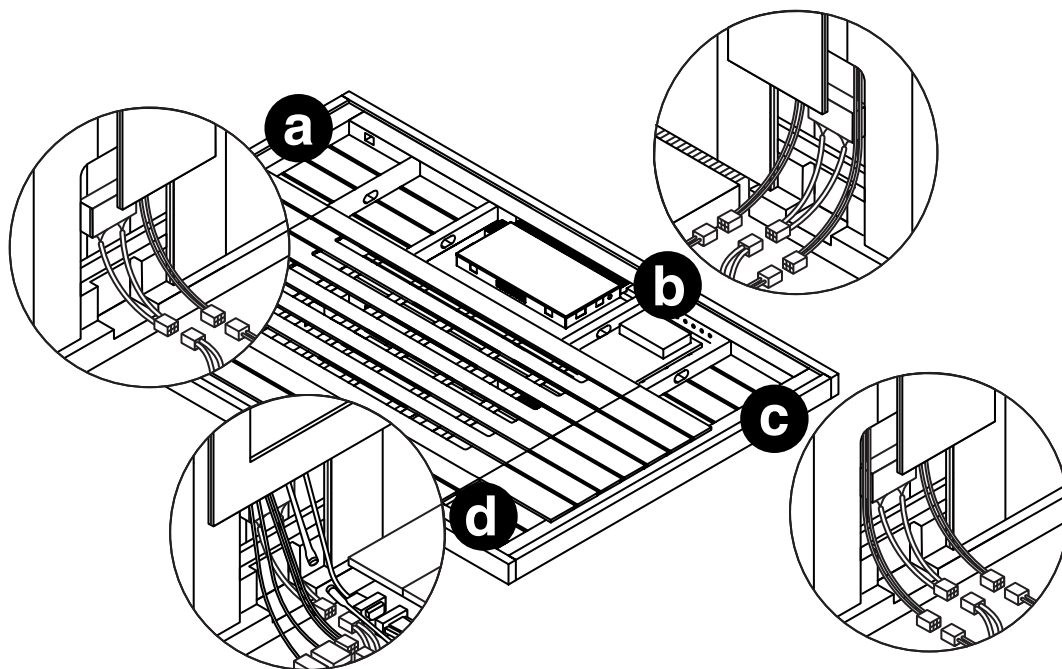
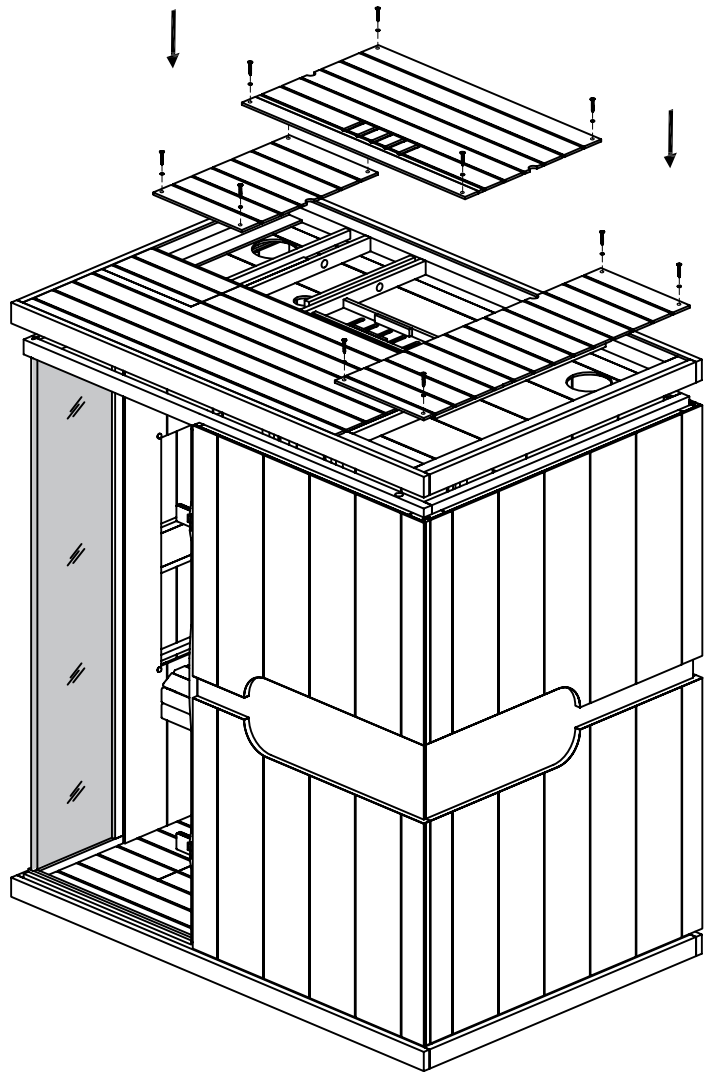
STEP 8

The dust cover should be replaced to protect the lights and speakers from dust & other floating residue. Place the heater frames in their respective locations if you have not yet done so.

As mentioned in Step 5, there are four connections to be made in each bottom section of the walls. If you have not yet done so consult with the diagram at the bottom of this page.

- a** Left Wall Heaters
- b** Back Wall Heaters
- c** Right Wall Heaters
- d** Front Wall Heaters/Lights/Stereo/Control Tablet

NOTE: Look at the back of the heater frames for the "This Side Up" sticker for proper orientation.

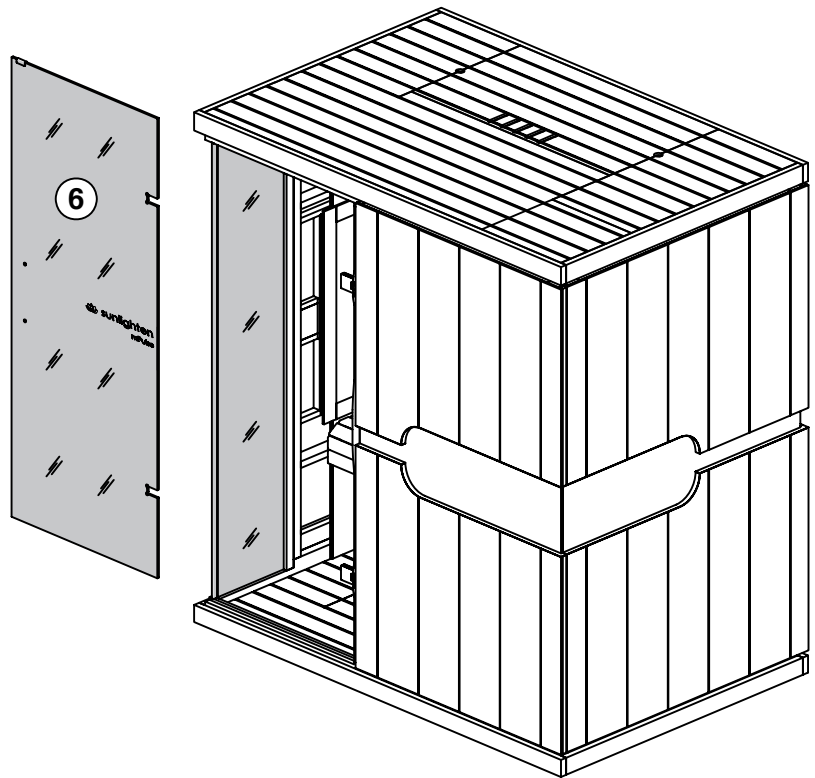


6 CONNECTIONS

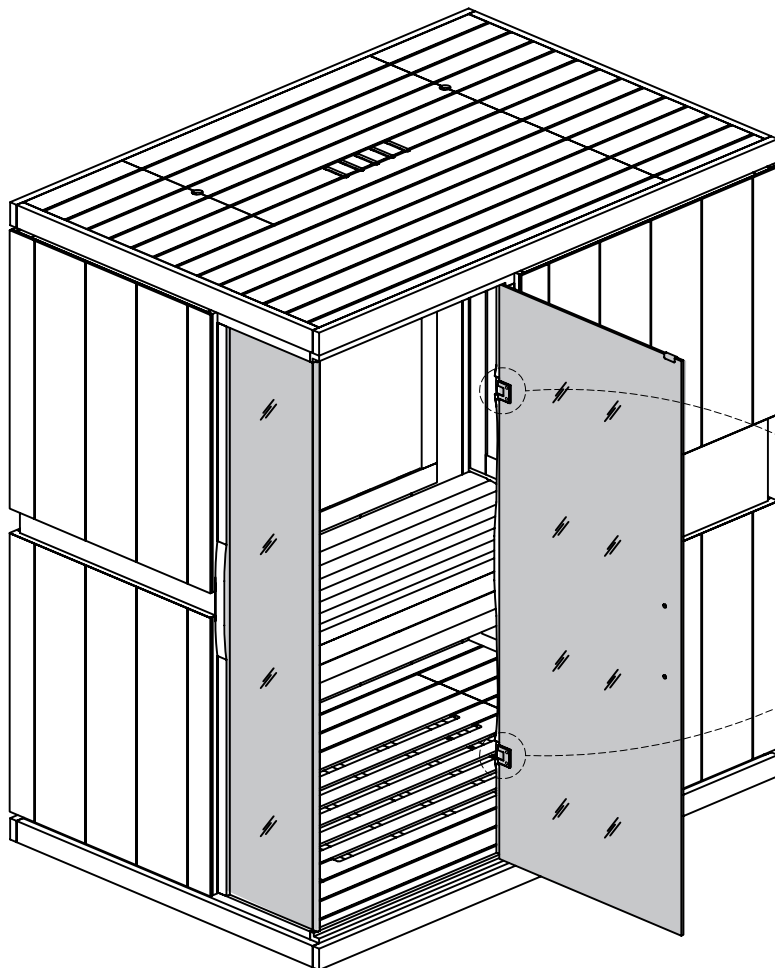
STEP 9

After the bench is placed in the unit, the next step will be inserting the glass door. Please ensure you have at least one other person to assist with this step. Do not put the door handles on as that will be done in a later step after the door has been safely attached in this step.

NOTE: You can use a paint stick to shim the glass door at a desirable angle above the threshold as you mount it.

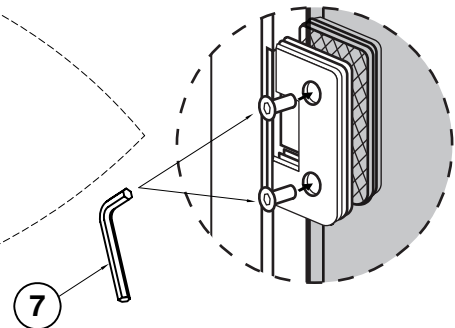


STEP 10



Using the Allen wrench, you will tighten the bolts into the hinges as the door is inserted. Make sure the bolt is inserted firmly. Each hinge will have four plastic gaskets. The door will be inserted between the four gaskets.

Make sure the rough-texture side of the gasket is against the glass door as you insert it. This will give it the grip needed to hang it. Likewise make sure the gaskets touching the hinges also are doing so by the rough side.



STEP 11

The gaskets, bolts & washers will come with the handles. The washers need to be inserted into the door holes first before the gaskets go on and eventually the bolts. The rough side of the gaskets must be facing the glass door. Be sure to have a second person hold the handle in place while the other inserts the bolt.

