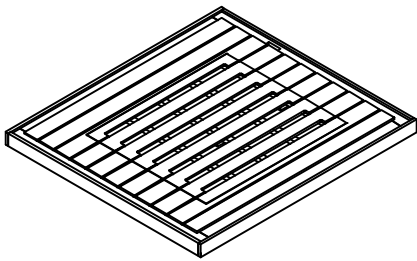
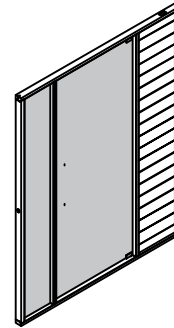


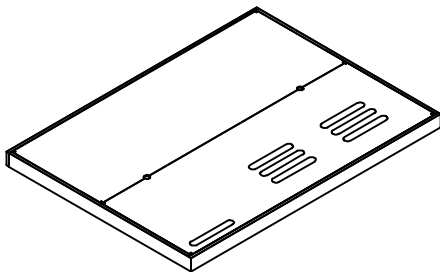
E x 1



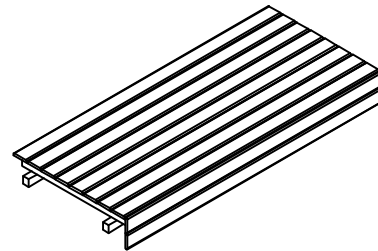
A x 1



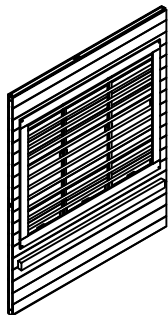
F x 1



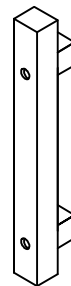
B x 1



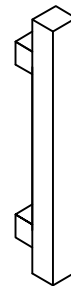
G x 1



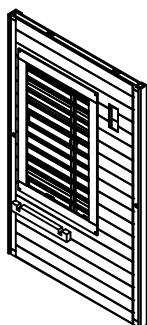
C x 1



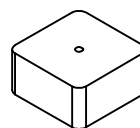
H x 1



J x 1



D x 1



K x 6



M x 4



N x 2

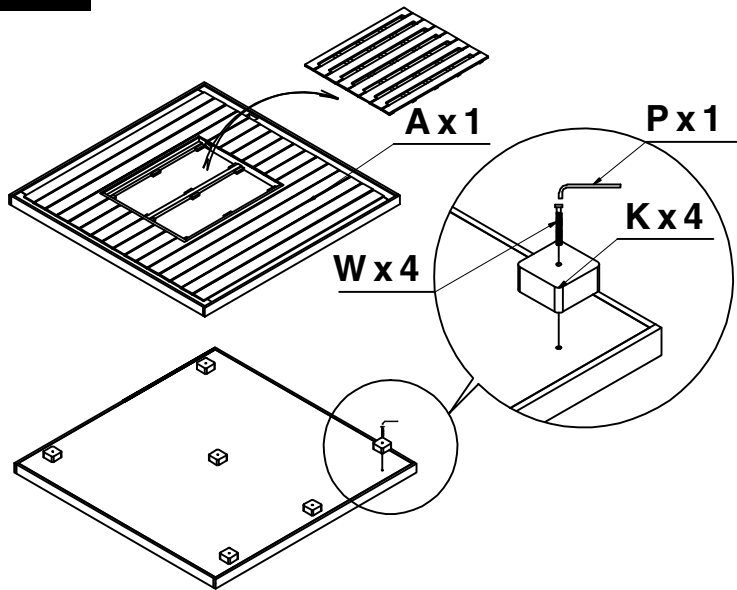


W x 6



P x 1

STEP 1



**DEDICATED
120V | 20A
CIRCUIT
REQUIRED***
see manual

Attach the feet pegs with supplied Allen wrench and W x 4 bolts.

Cut the zip ties holding the floor grate, the fabric will adhere to the Velcro on the underside of the grate.

TIP: One side of the fabric adheres better

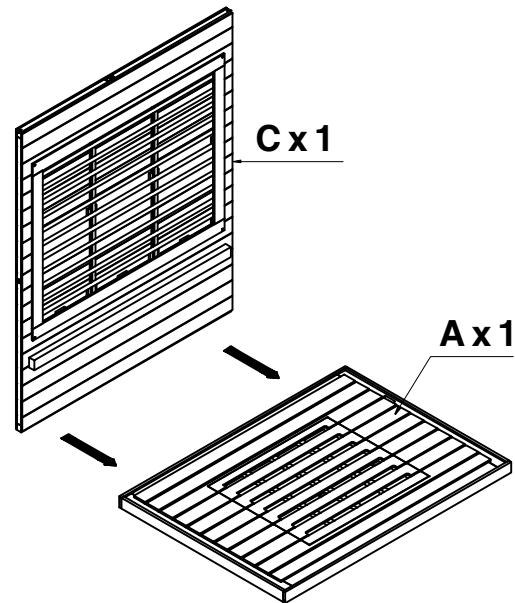
Remove the wire cover to the right side of the floor grate for connection in step 3/4.

NOTE: Make sure the floor panel is on a surface that is perfectly level & relatively smooth.

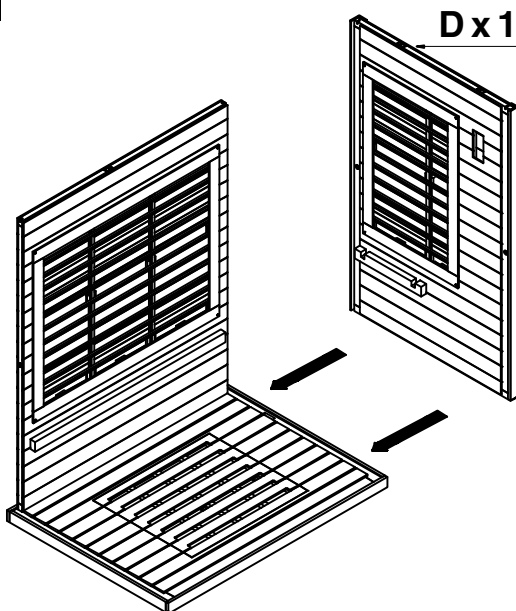
** Failure to do so will void your sauna's warranty and customer will assume liability for any electrical damages to the sauna itself or the residence/business in which the sauna is installed.*

STEP 2

Place the back wall on the back of the floor panel. Be sure you have two people assisting with this step. This is the side with the sauna information label on the bottom edge.



STEP 3

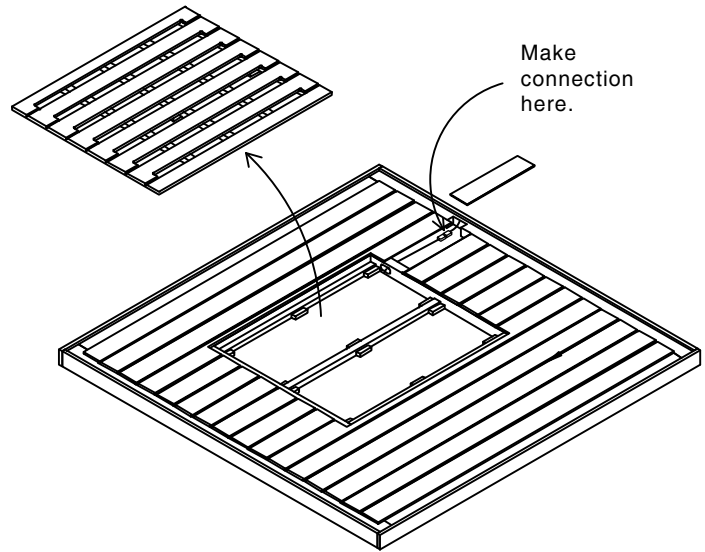


The wall panel should sit flush once properly seated. Make sure no gaps are visible in the corner of the two walls as you insert it. It should be inserted flush.

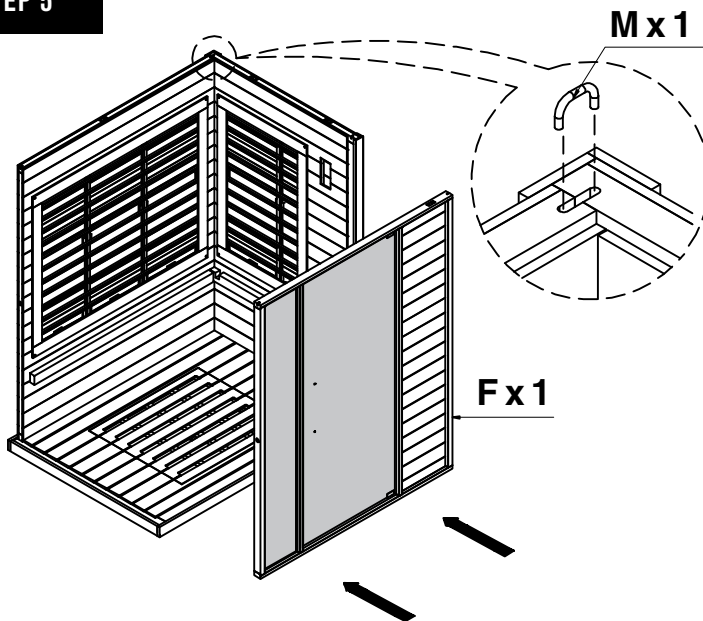
NOTE: The right wall of the sauna includes wire connections underneath which will lead into the floor panel.

STEP 4

If you have not yet done so, the floor heaters will need to be connected to the right wall wires. The diagram to the right shows where the connection is made. You will need to remove the floor grate and a small hatch covering the harness.



STEP 5



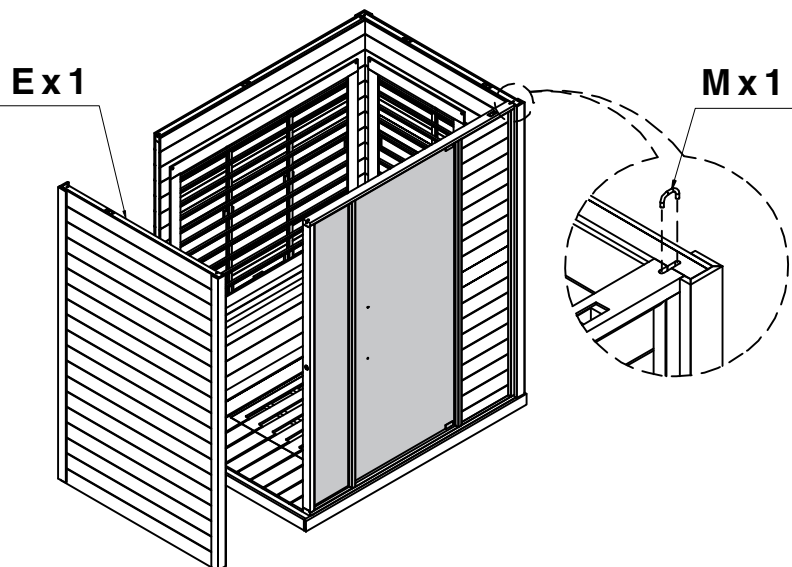
As you insert each wall segment, you will insert the U-clips in the pre-drilled holes in the corner. This will keep the walls sealed together.

The next wall to insert will be the front wall. Be careful of the glass door & panel as you insert the wall.

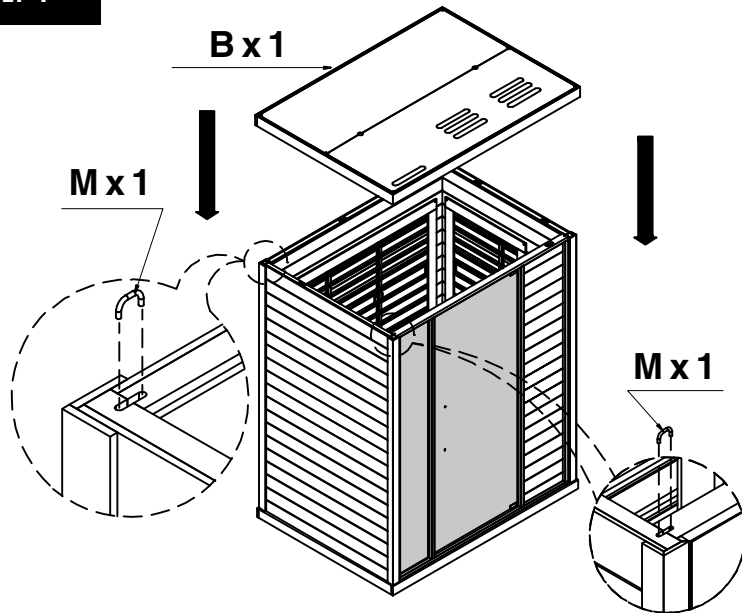
STEP 6

After securing the U-clip, the left wall will be the last to be inserted. Make sure it is flush and no gaps are showing in the corners.

NOTE: If you ever have trouble getting a U-clip to slide in, this can be resolved by tapping it with a hammer.

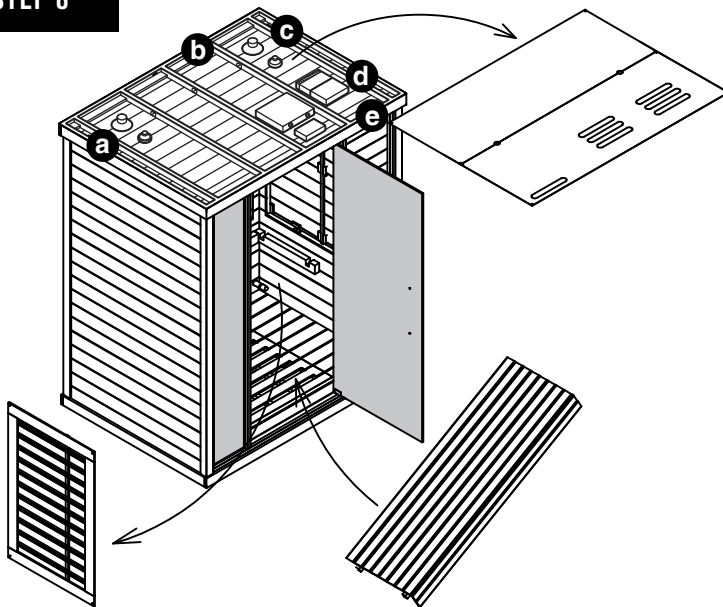


STEP 7



Once all the U-clips have been inserted in the corners, the next step will be to place the roof on top. Make sure the side the main powercord receptacle faces the back.

STEP 8

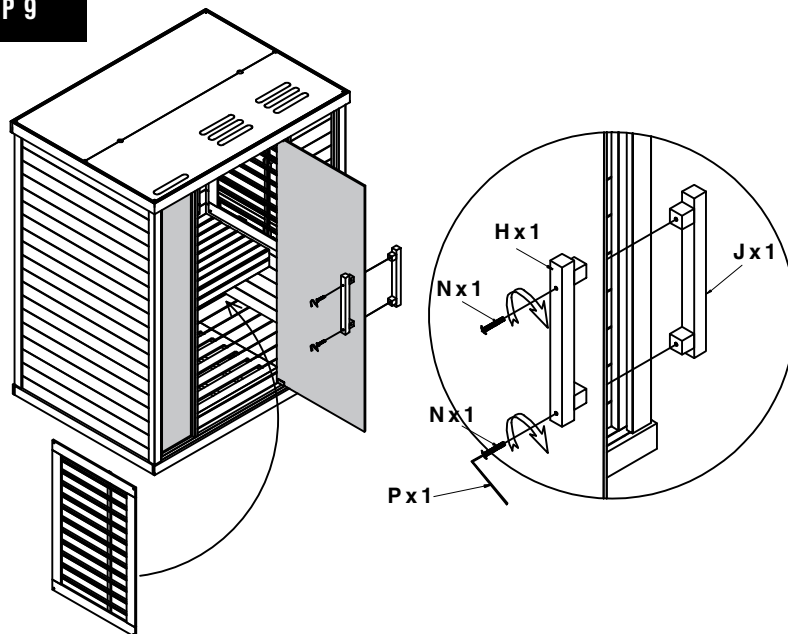


The following connections can be made on the roof of the sauna:

- a** Left Heaters
- b** Back Heaters/Speakers
- c** Right/Floor Heaters
- d** Control Panel
- e** Front Heater

Before the bench is placed, make sure the heater frames are taken out to allow the bench to be placed on its support.

STEP 9



With the bench installed, the heater panel frames can be inserted back into their respectable walls.

The door handles come with the hardware and can easily be screwed right in. A second person should hold the handle while the other screws the bolts in with the Allen wrench. The dust cover should also be replaced.

Congratulations! Your new sauna is ready for use.