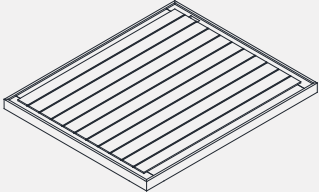
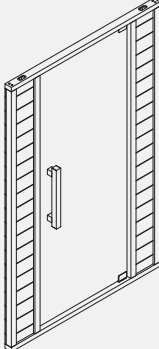
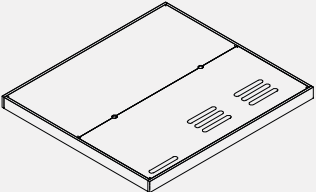
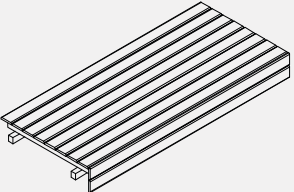
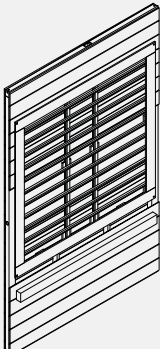
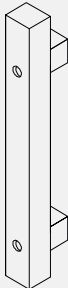
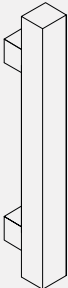
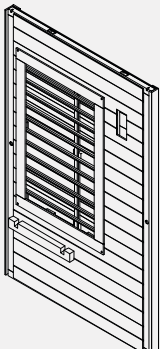
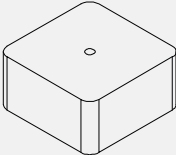
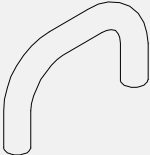



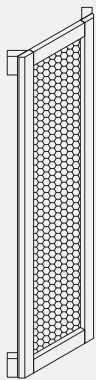
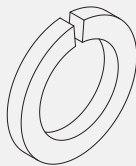


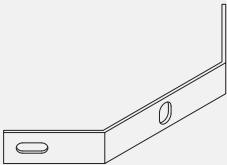
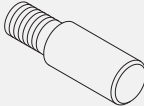
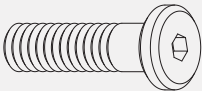
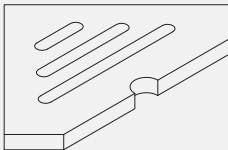
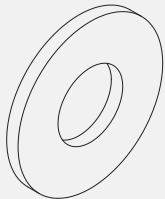


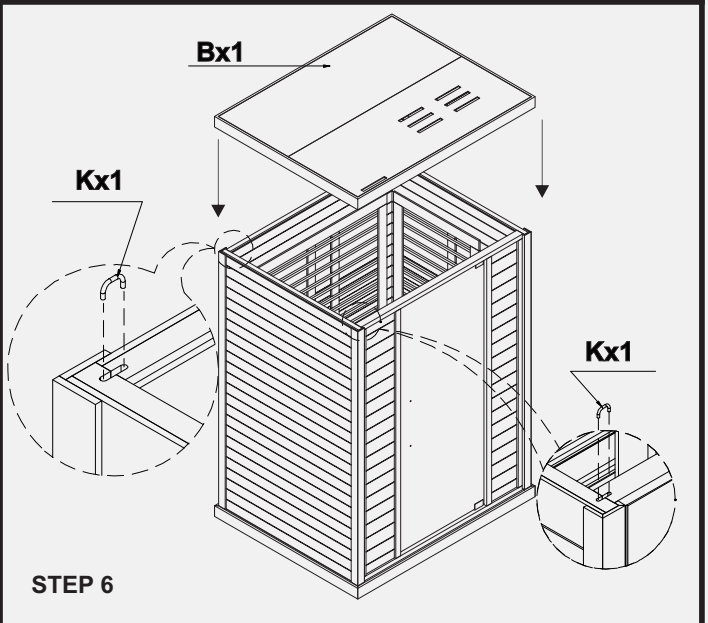
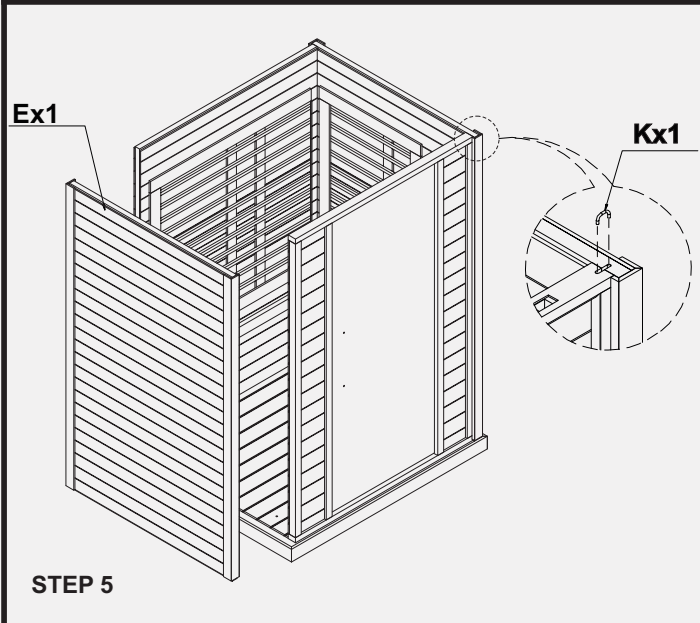
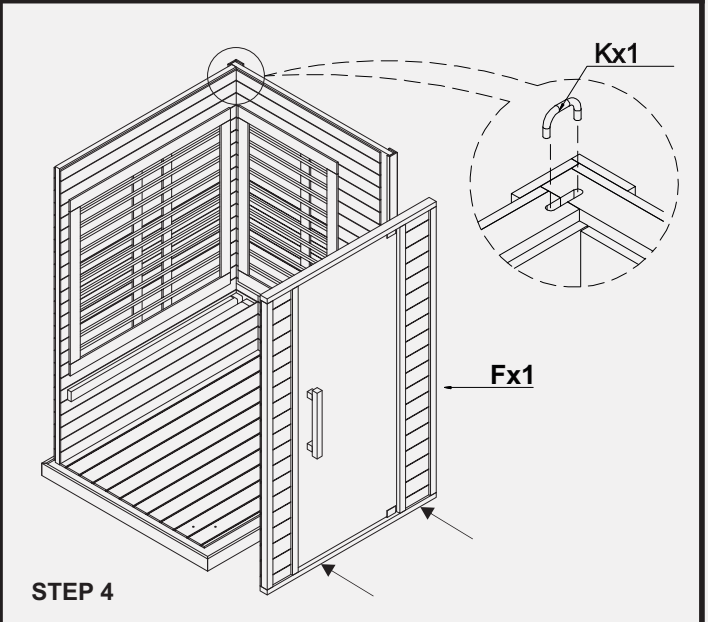
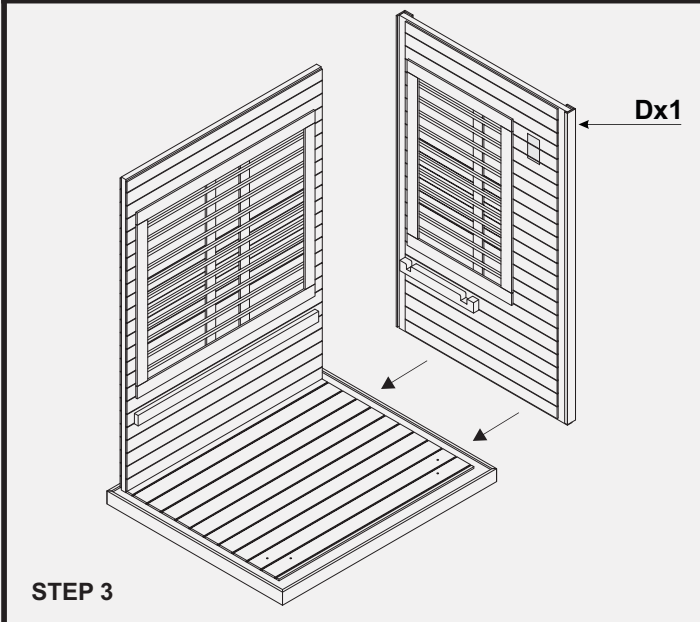
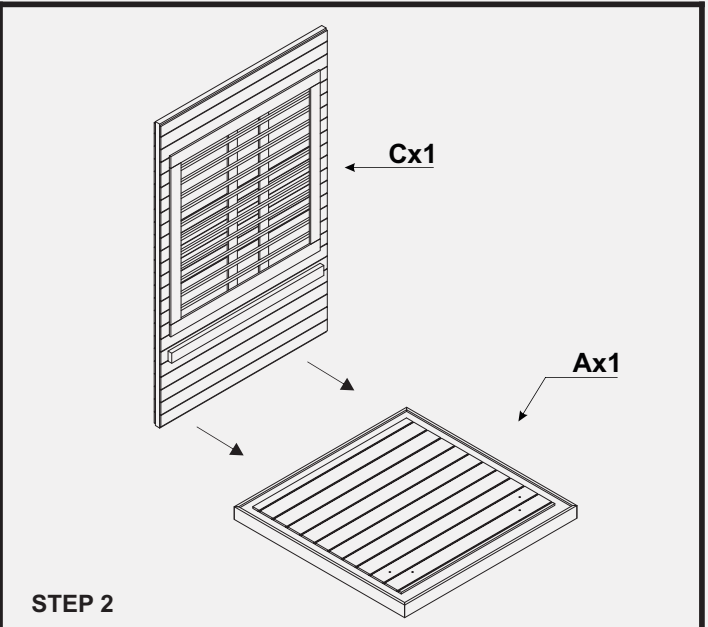
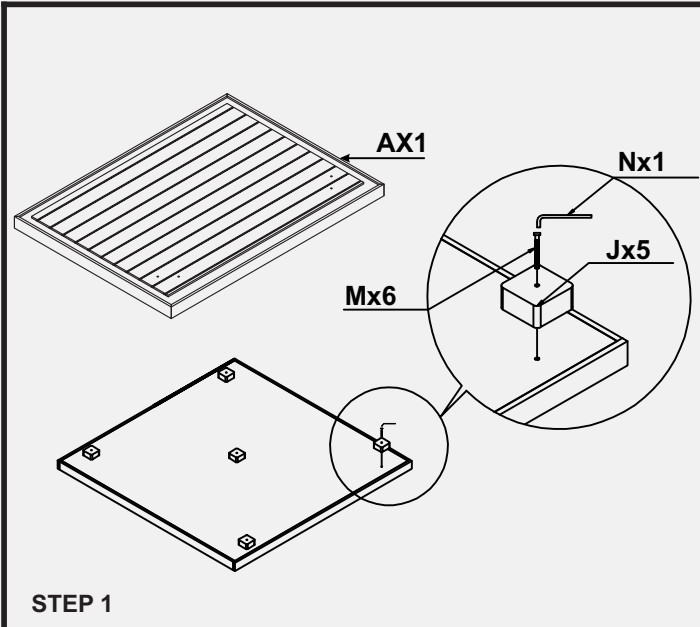
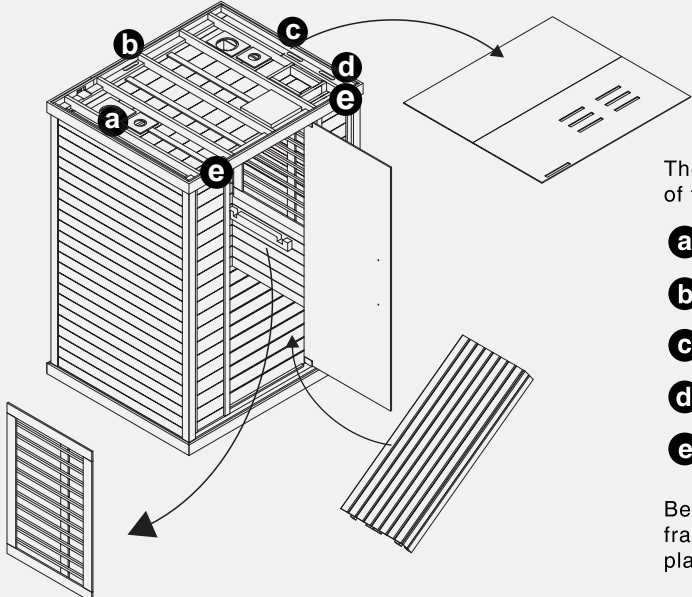
 <p><b>EX1</b></p>		
 <p><b>AX1</b></p>	 <p><b>FX1</b></p>		
 <p><b>BX1</b></p>	 <p><b>GX1</b></p>		
 <p><b>CX1</b></p>	 <p><b>HX1</b></p>	 <p><b>IX1</b></p>	
 <p><b>DX1</b></p>	 <p><b>Jx5</b></p>	 <p><b>Kx4</b></p>	
 <p><b>Lx2</b></p>		 <p><b>Mx5</b></p>	 <p><b>Nx1</b></p>

 <p><b>OX2</b></p>	 <p><b>TX12</b></p>	
 <p><b>PX2</b></p>	 <p><b>UX4</b></p>	
 <p><b>QX4</b></p>	 <p><b>Vx4</b></p>	
 <p><b>RX12</b></p>	 <p><b>WX2</b></p>	
 <p><b>SX12</b></p>	 <p><b>XX12</b></p>	 <p><b>YX12</b></p>



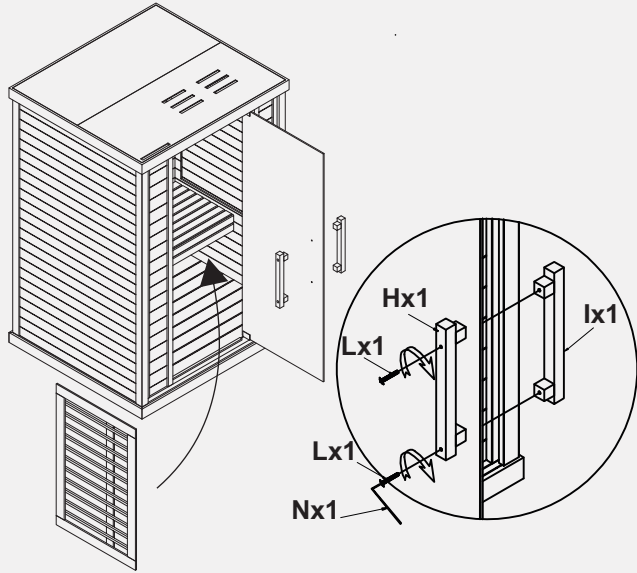


The following connections can be made on the roof of the sauna:

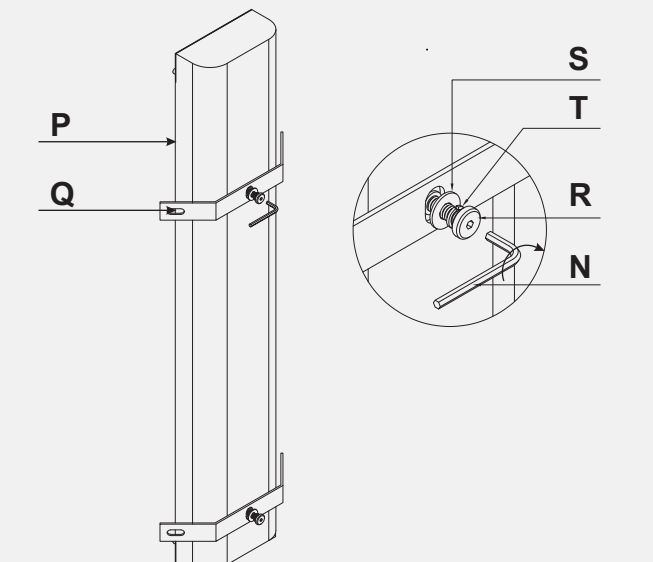
- a** Left Heaters
- b** Back Heaters/Speakers
- c** Right/Floor Heaters
- d** Control Panel
- e** Full spectrum heater

Before the bench is placed, make sure the heater frames are taken out to allow the bench to be placed on its support.

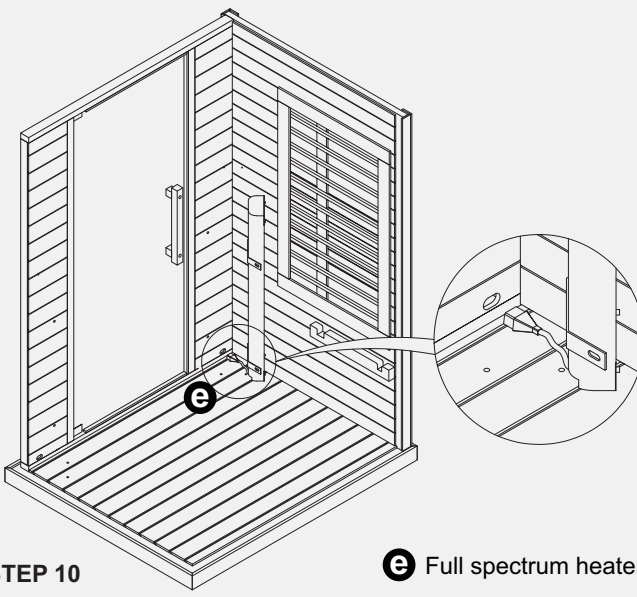
**STEP 7**



**STEP 8**

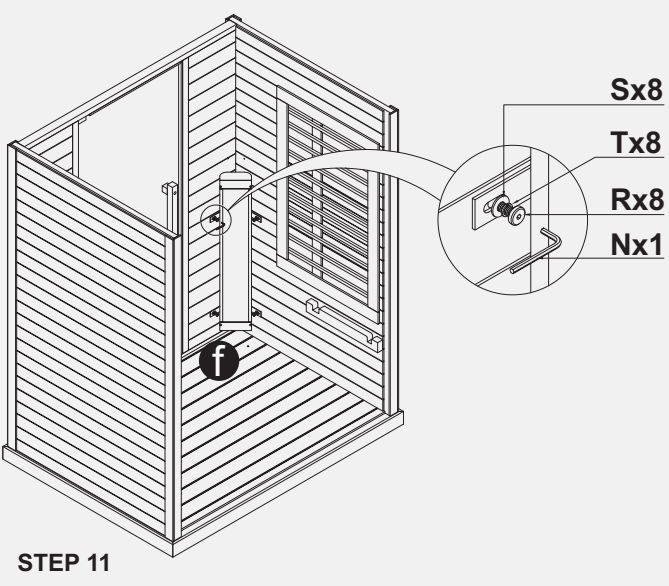


**STEP 9**

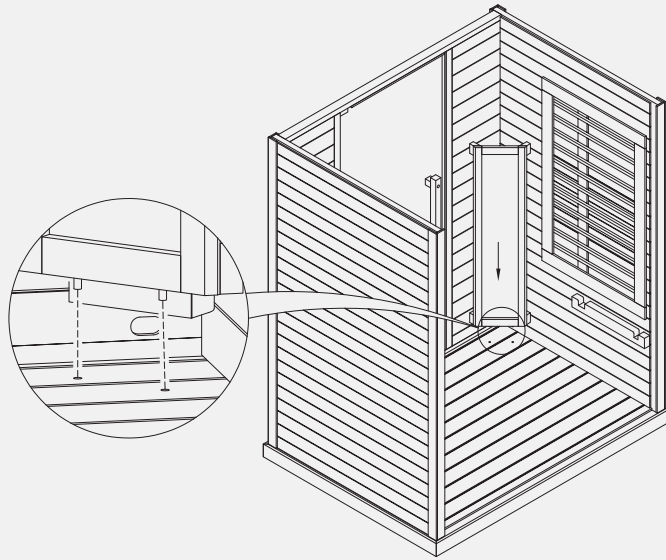


**STEP 10**

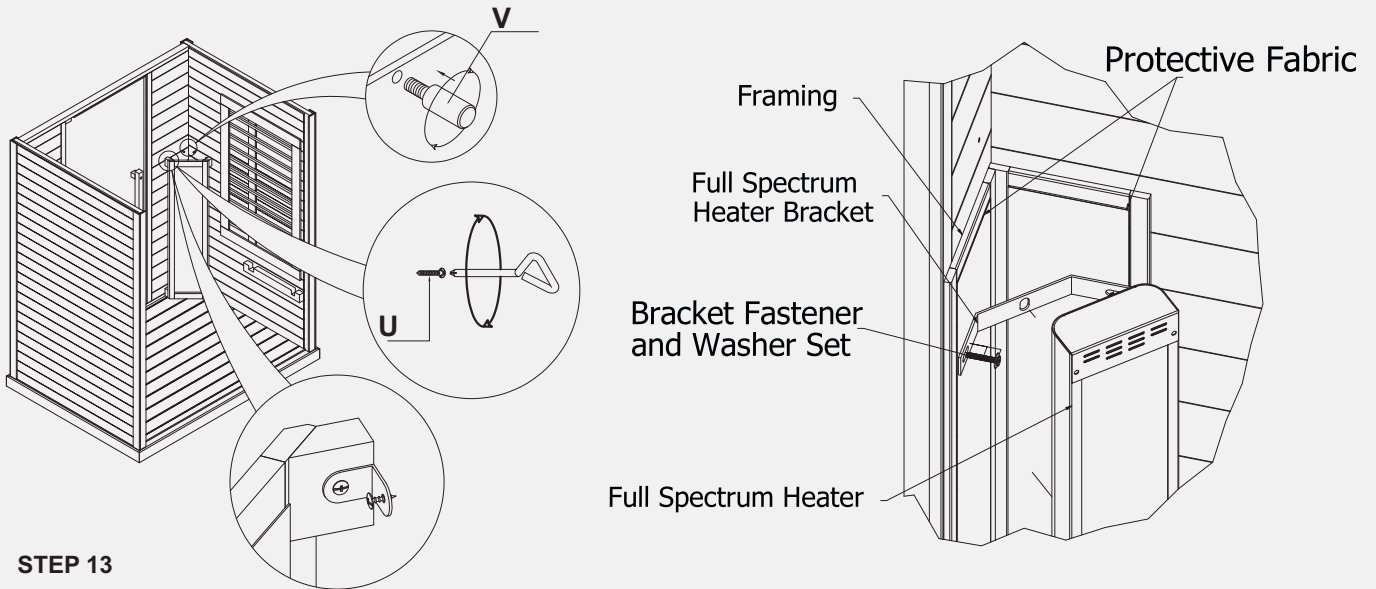
**e** Full spectrum heater



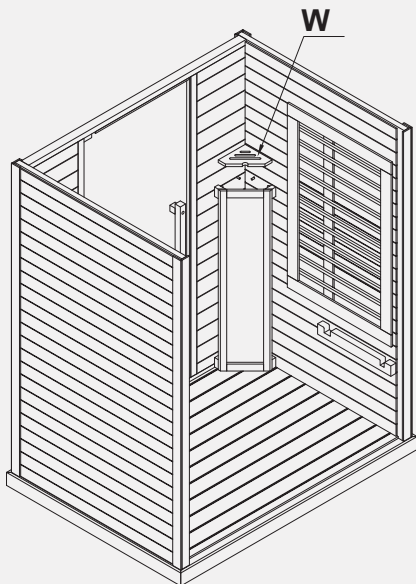
**STEP 11**



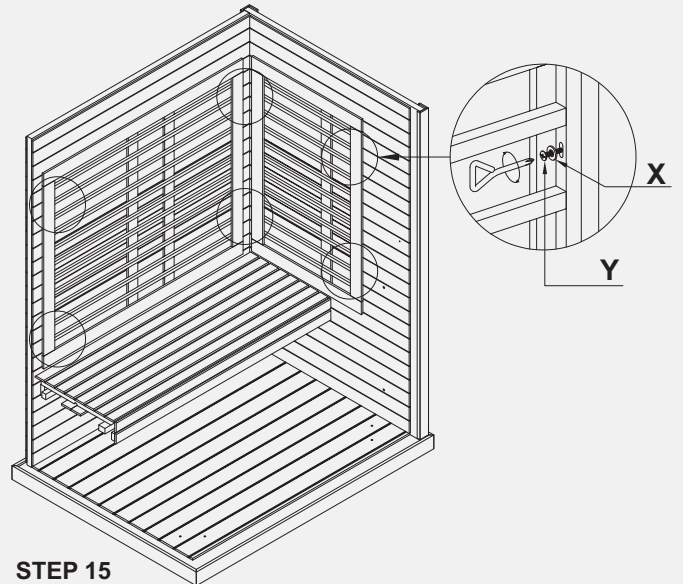
STEP 12



STEP 13



STEP 14



STEP 15



sunlighten™  
LIGHT FOR LIFE

Signature II FS Assembly Instructions