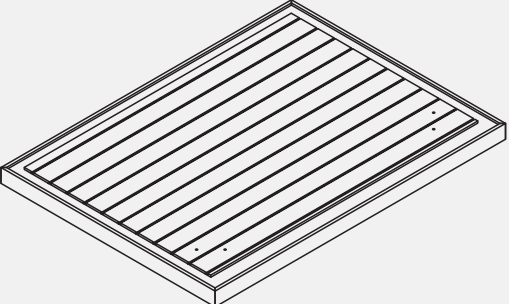
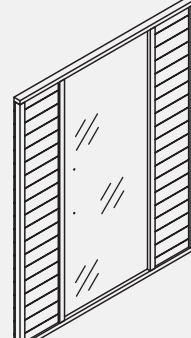
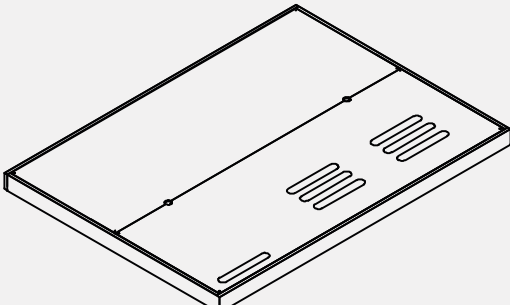
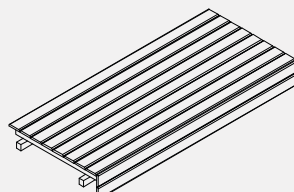
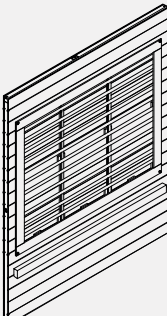


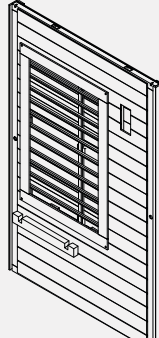
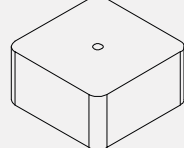




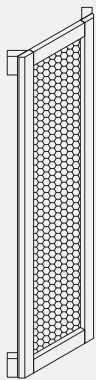
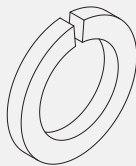


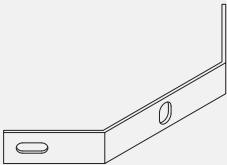
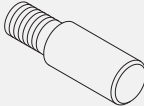
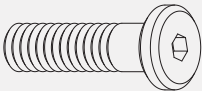
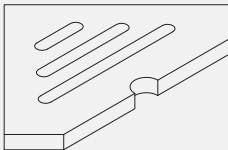
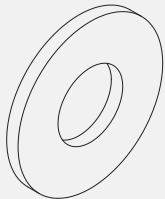


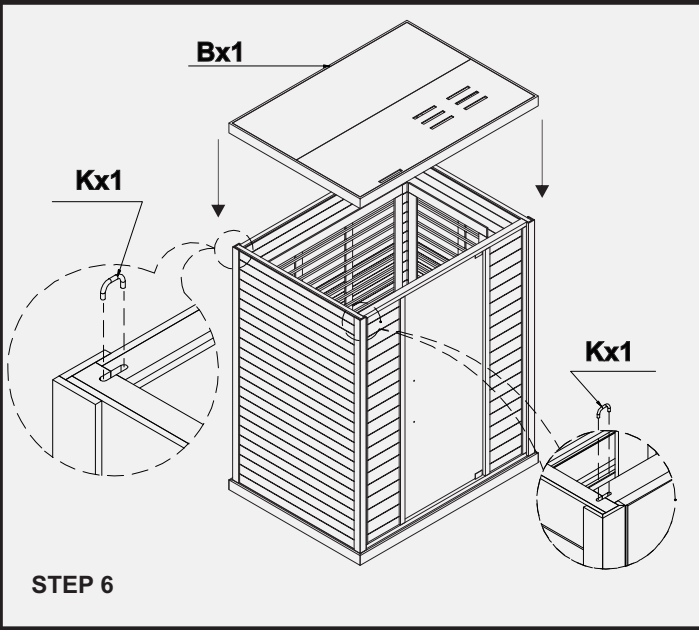
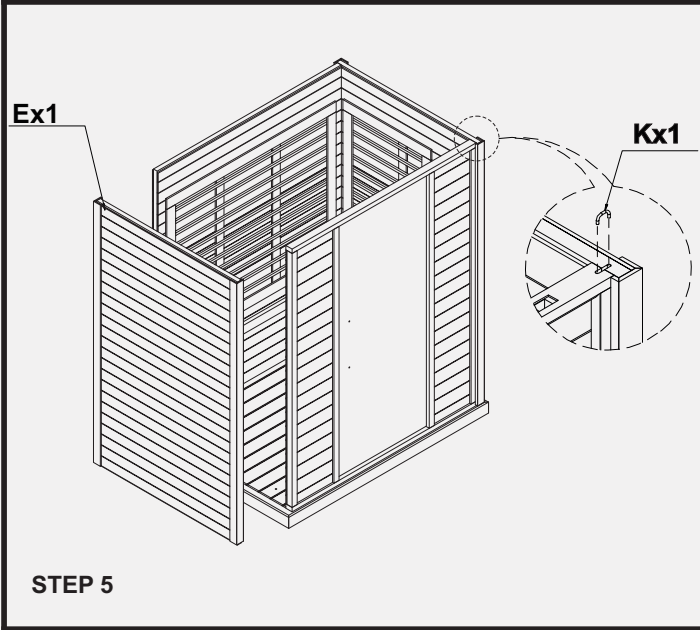
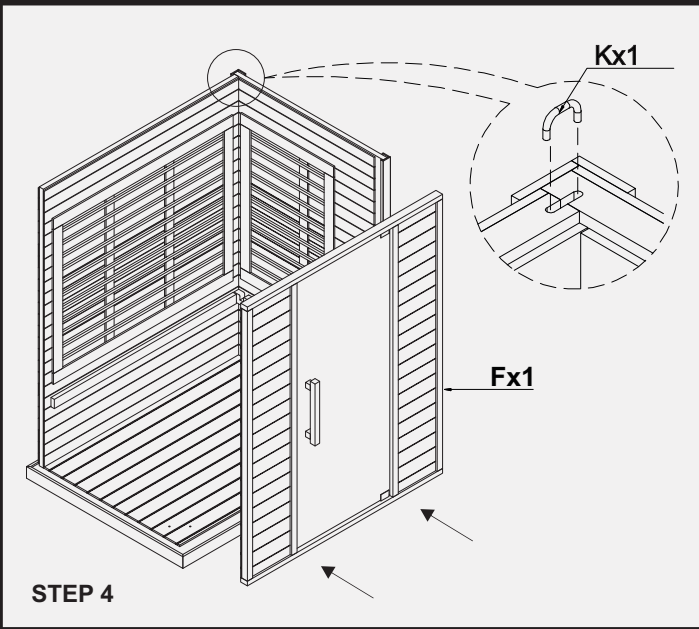
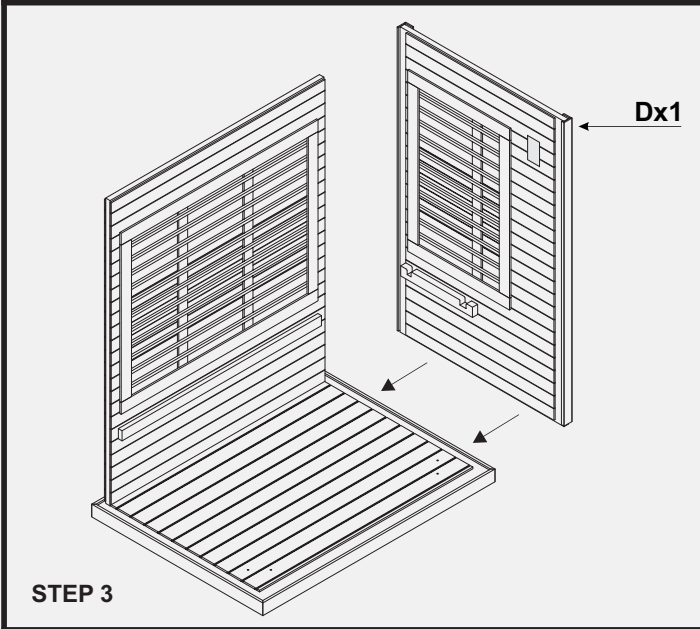
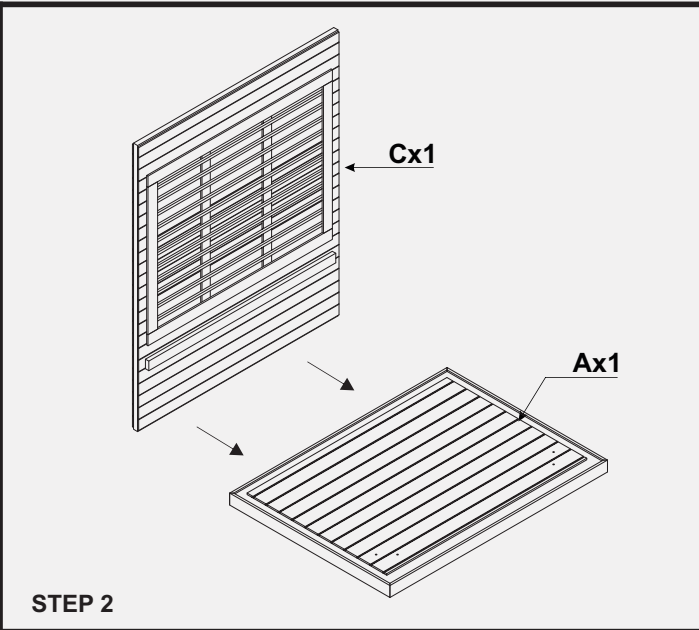
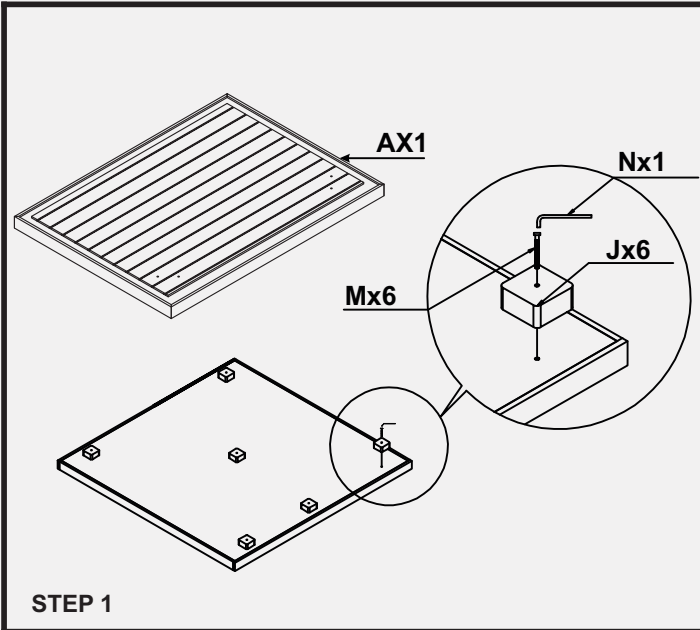
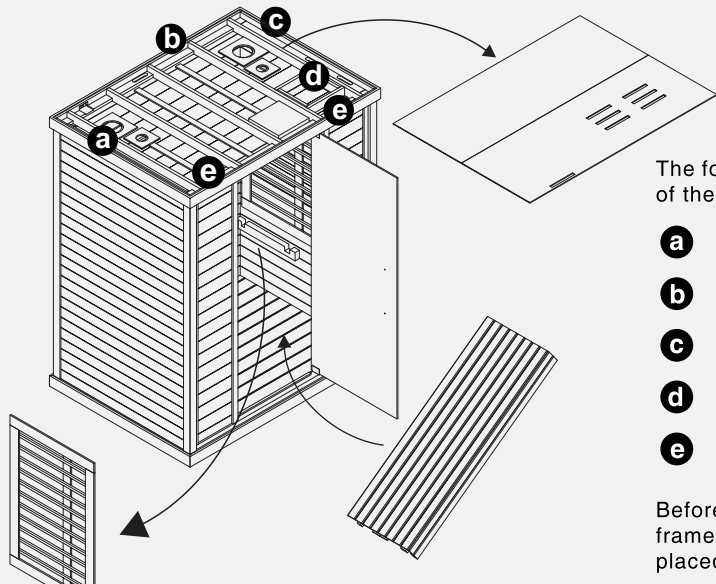
 <p>EX1</p>		
 <p>AX1</p>	 <p>FX1</p>		
 <p>BX1</p>	 <p>GX1</p>		
 <p>CX1</p>	 <p>HX1</p>	 <p>IX1</p>	
 <p>DX1</p>	 <p>Jx6</p>	 <p>Kx4</p>	
 <p>Lx2</p>		 <p>Mx5</p>	 <p>Nx1</p>

 <p>OX2</p>	 <p>TX12</p>	
 <p>PX2</p>	 <p>UX4</p>	
 <p>QX4</p>	 <p>Vx4</p>	
 <p>RX12</p>	 <p>WX2</p>	
 <p>SX12</p>	 <p>XX12</p>	 <p>YX12</p>



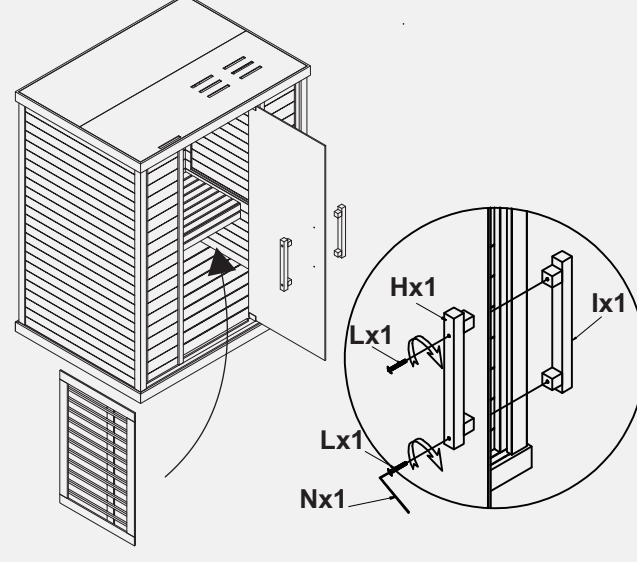


The following connections can be made on the roof of the sauna:

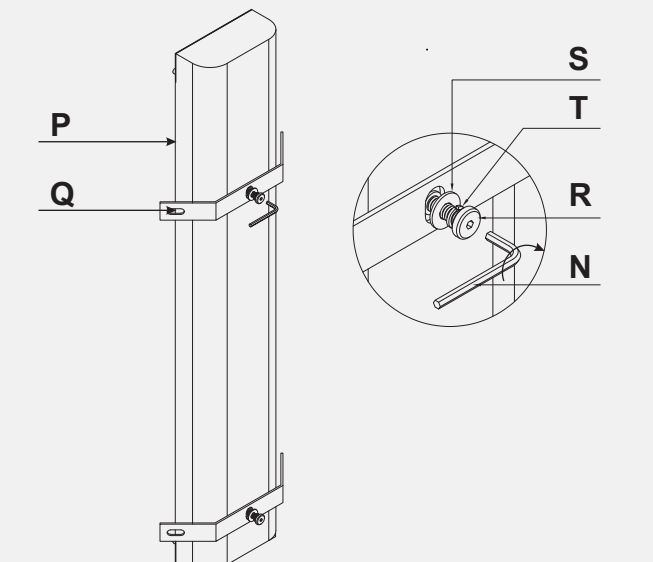
- a** Left Heaters
- b** Back Heaters/Speakers
- c** Right/Floor Heaters
- d** Control Panel
- e** Full spectrum heater

Before the bench is placed, make sure the heater frames are taken out to allow the bench to be placed on its support.

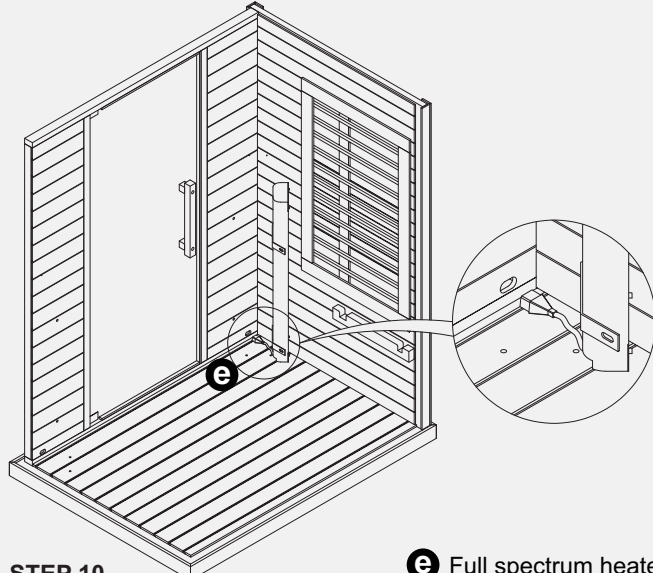
STEP 7



STEP 8

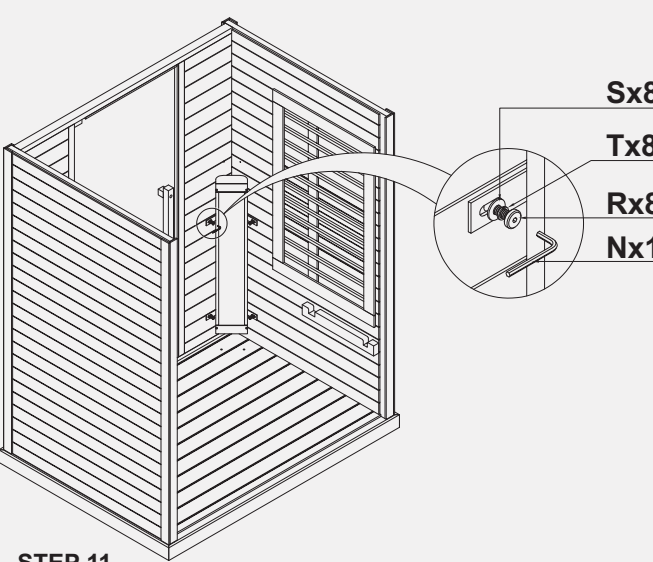


STEP 9

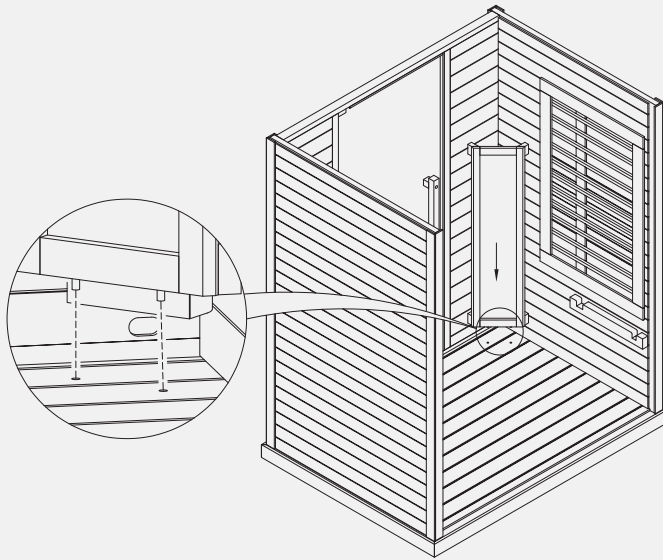


STEP 10

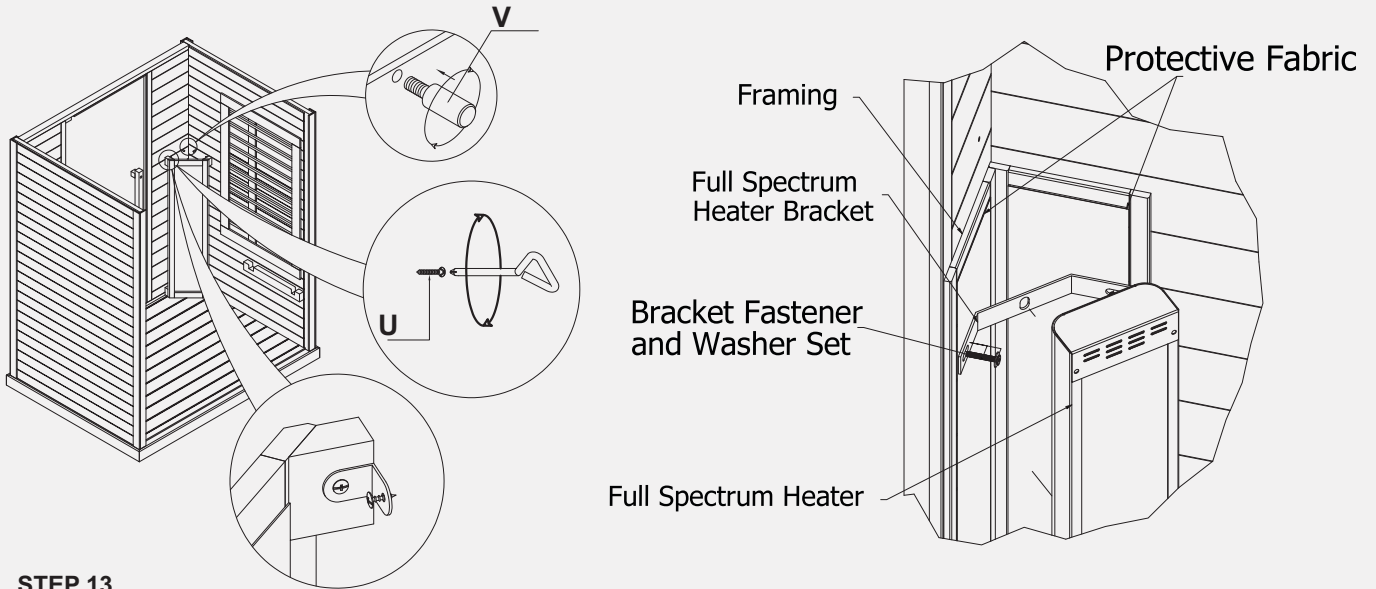
e Full spectrum heater



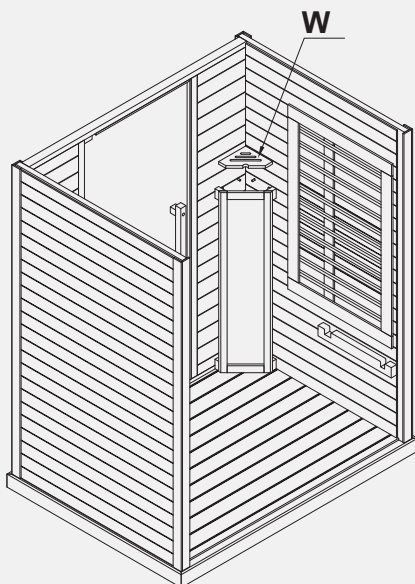
STEP 11



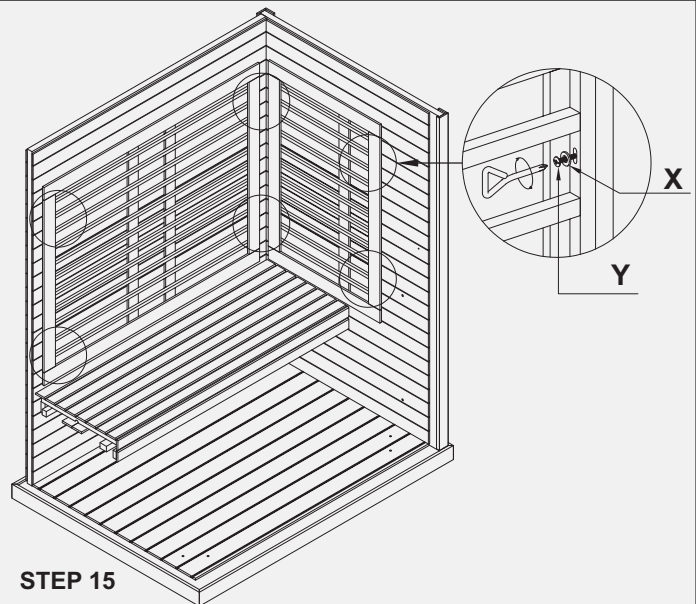
STEP 12



STEP 13



STEP 14



STEP 15



sunlighten™
LIGHT FOR LIFE

Signature II FS Assembly Instructions