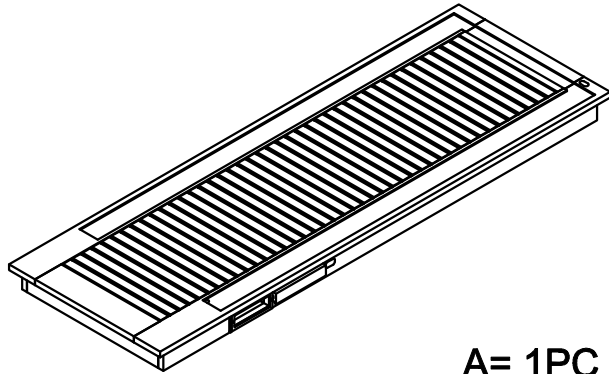
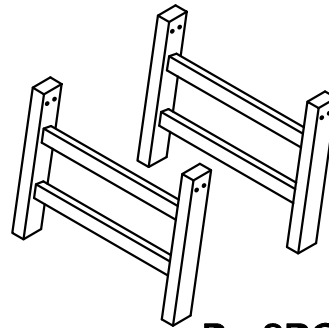


ASSEMBLY INSTRUCTION



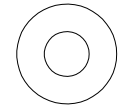
A= 1PC



B= 2PCS



C:M8x60= 8PCS



D:M8= 8PCS

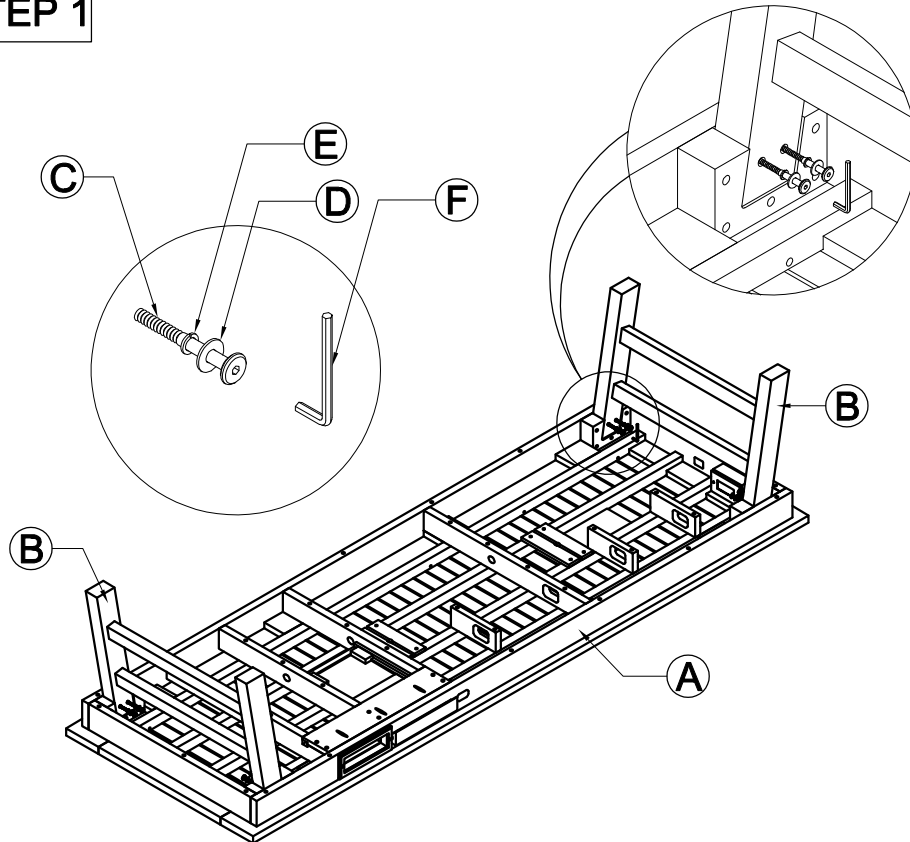


E:M8= 8PCS

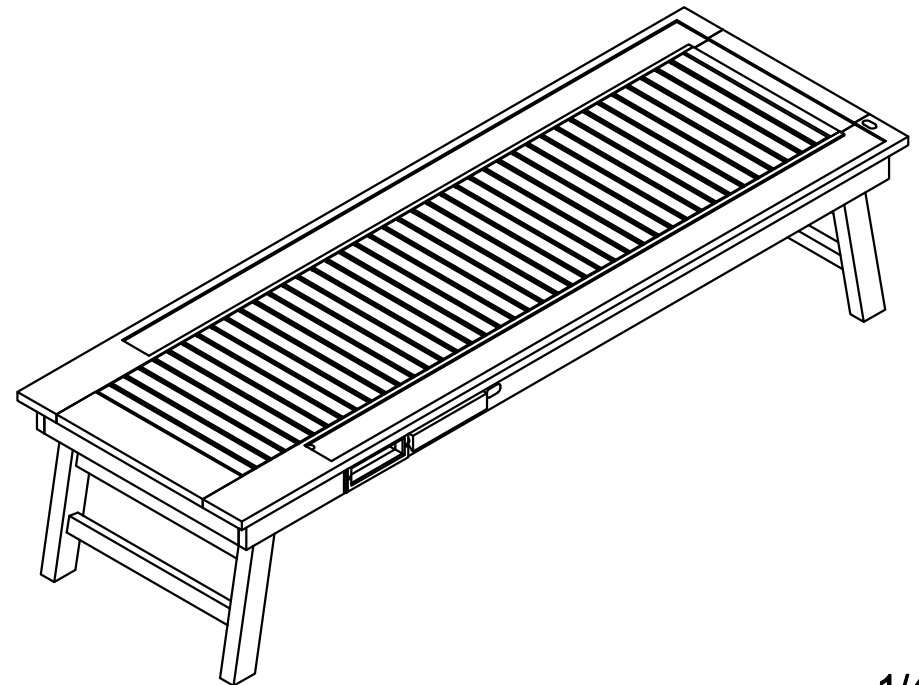


F= 1PC

STEP 1

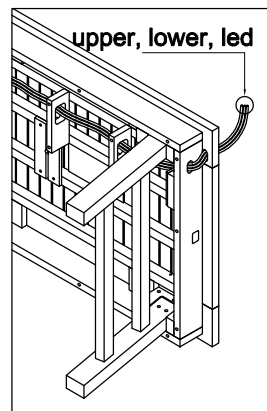
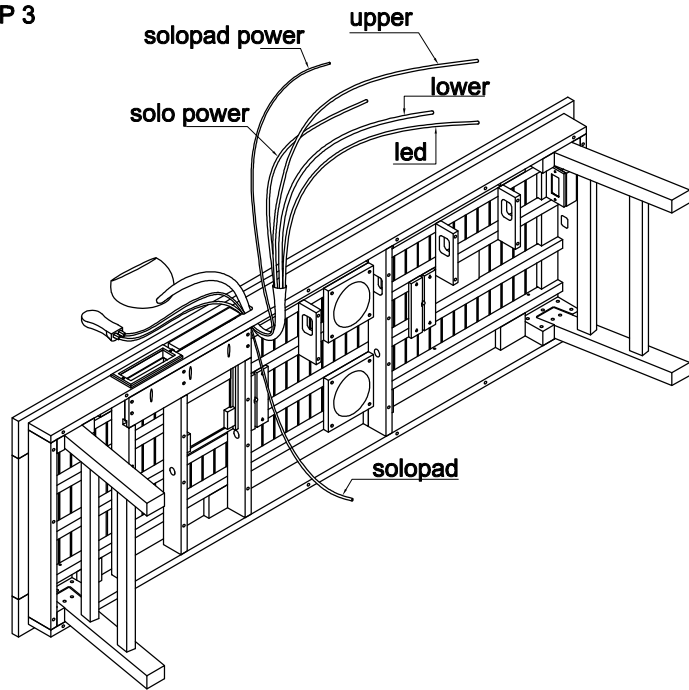


STEP 2



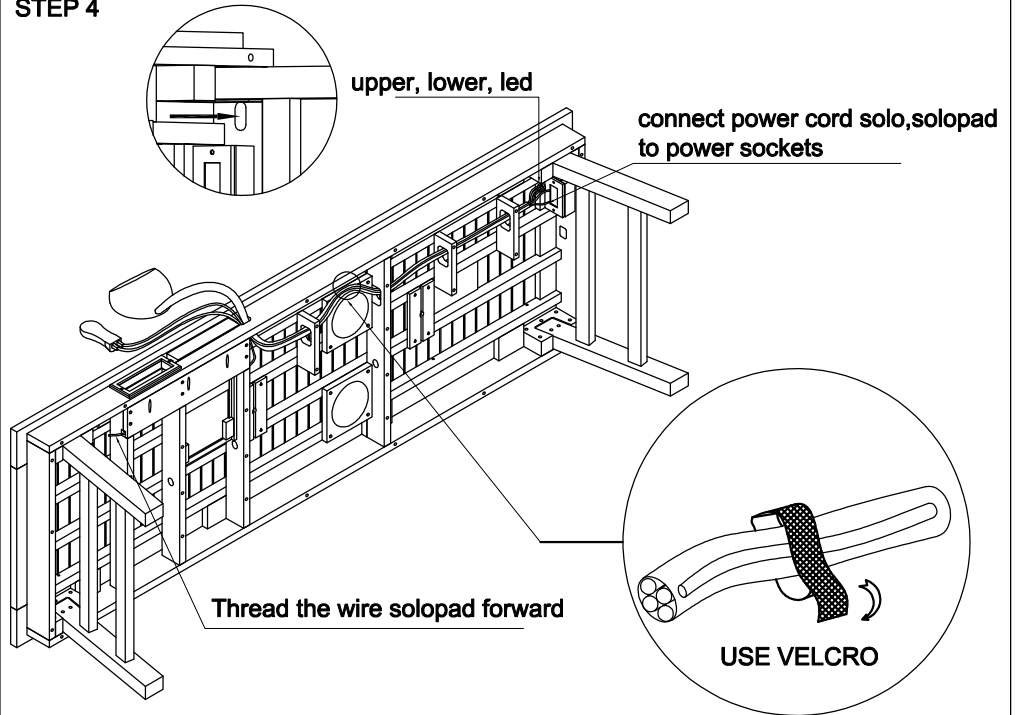
ASSEMBLY INSTRUCTION

STEP 3



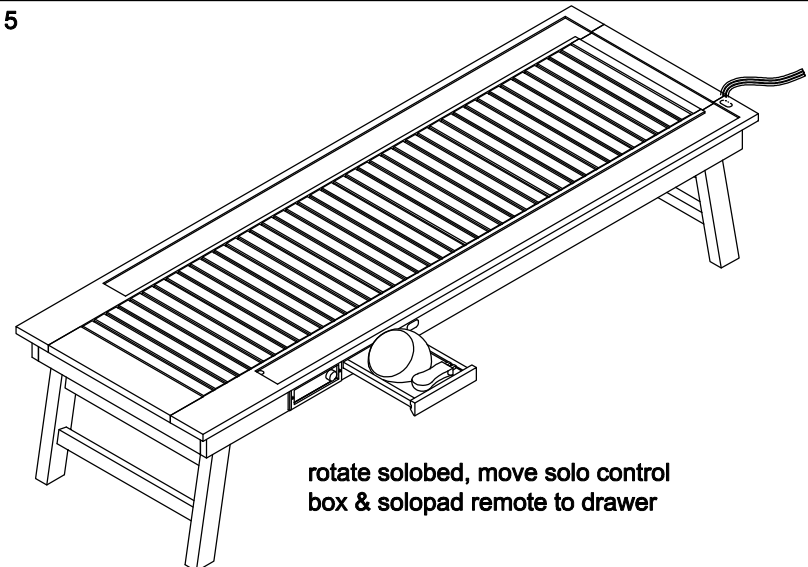
Thread the wire upper, lower, led to back and up

STEP 4



USE VELCRO

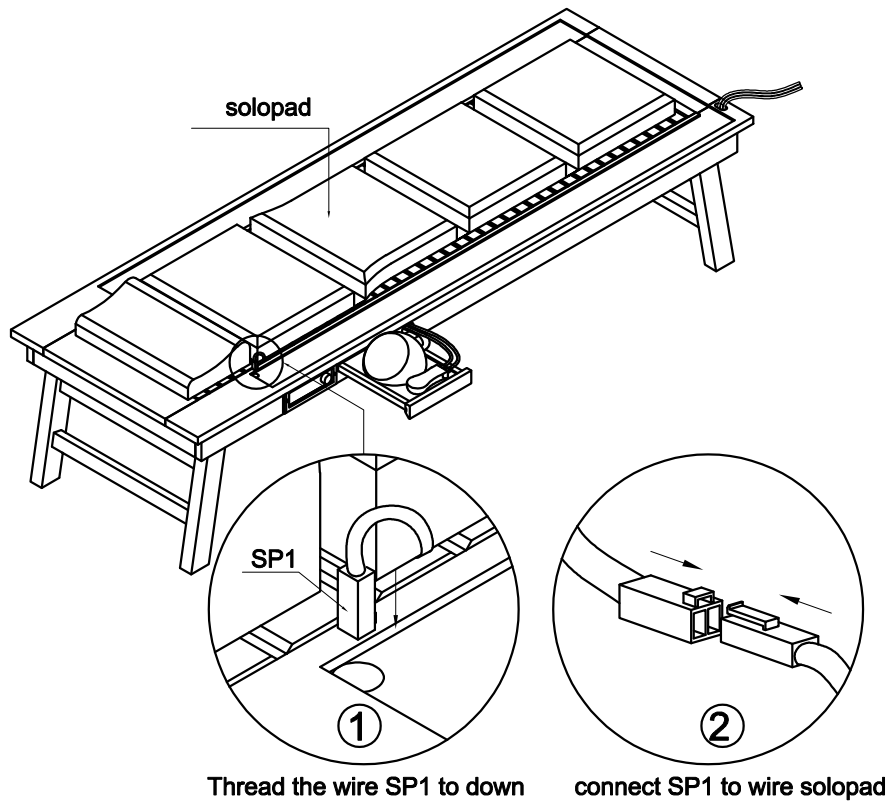
STEP 5



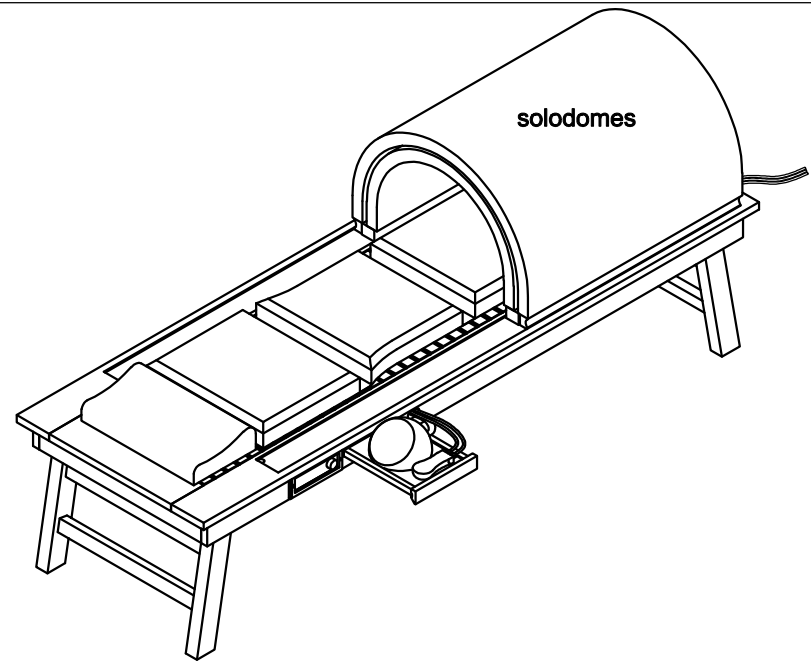
rotate solobed, move solo control box & solopad remote to drawer

ASSEMBLY INSTRUCTION

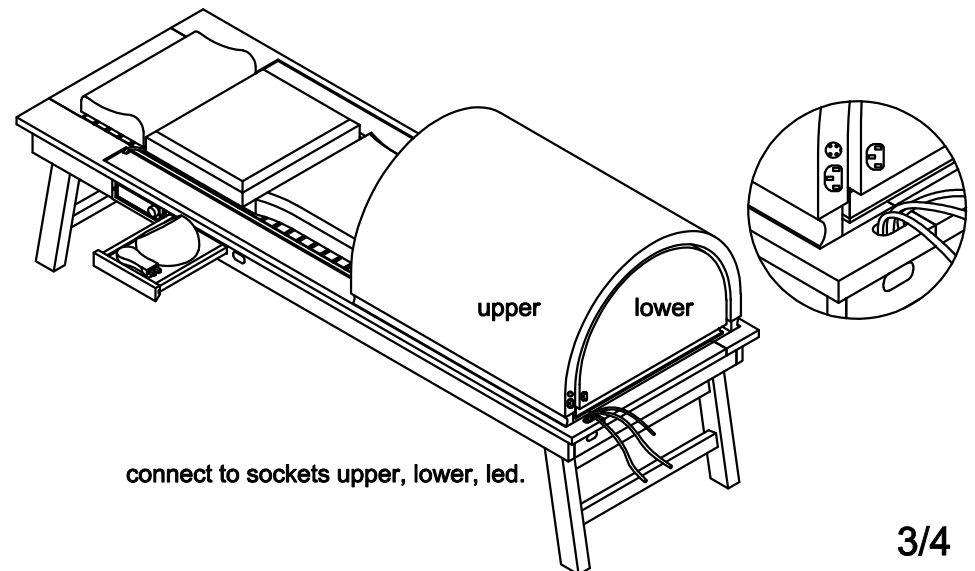
STEP 6



STEP 7



STEP 8



ASSEMBLY INSTRUCTION

