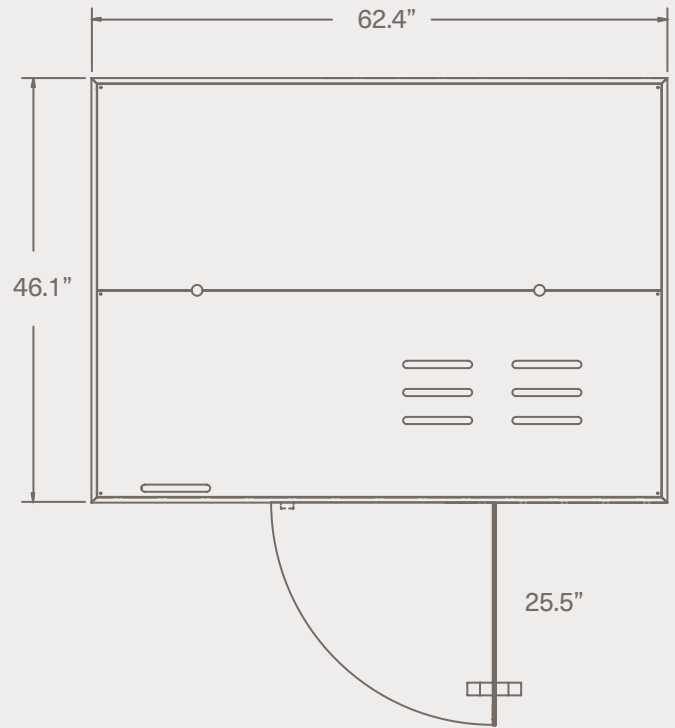


# Signature<sup>®</sup> FS III

## High Intensity Full Spectrum Infrared

Available  
in Basswood

- 5 Sunlighten Patented Infrared Light Therapy Heaters with highest quantity of IR into your body
- 2 Full Spectrum High Intensity Heaters = 165F Max Temperature
- Ultra Low EMF and Environmentally Safe
- Chromotherapy
- Patented Magne-Seal, adult lego assembly process allowing for a modern sleek interior finish
- Beautiful craftsmanship and solid wood construction made to last a lifetime
- Deep benches and a taller height come standard for ultimate relaxation
- Acoustic Resonance Sound Therapy, a must-have enhancement



# Signature<sup>®</sup> FS III

## High Intensity Full Spectrum Infrared

**FS-3 Temp:** 165°F

**Exterior:** 62.4" x 46.1" x 77.5"

**Interior:** 57.3" x 40" x 70.1"

**Bench:** 56.7" x 20" x 19"

**Heaters:** 7

**Electrical:** 120V 2035W 20A

*NEMA 5-20 Dedicated 120V  
20A circuit and outlet required*  
9' cord exits from back left  
of roof



### Fitting into your space:

Because of the large panel size, it is important to ensure there is enough space through the doors and pathways to the sauna's location in your home. Standard doors in the US are 30" to 36" wide, and 6' to 8' tall. Please measure any doorway or hallway needed prior to purchase